

Large Volume Hot Water Storage Tanks

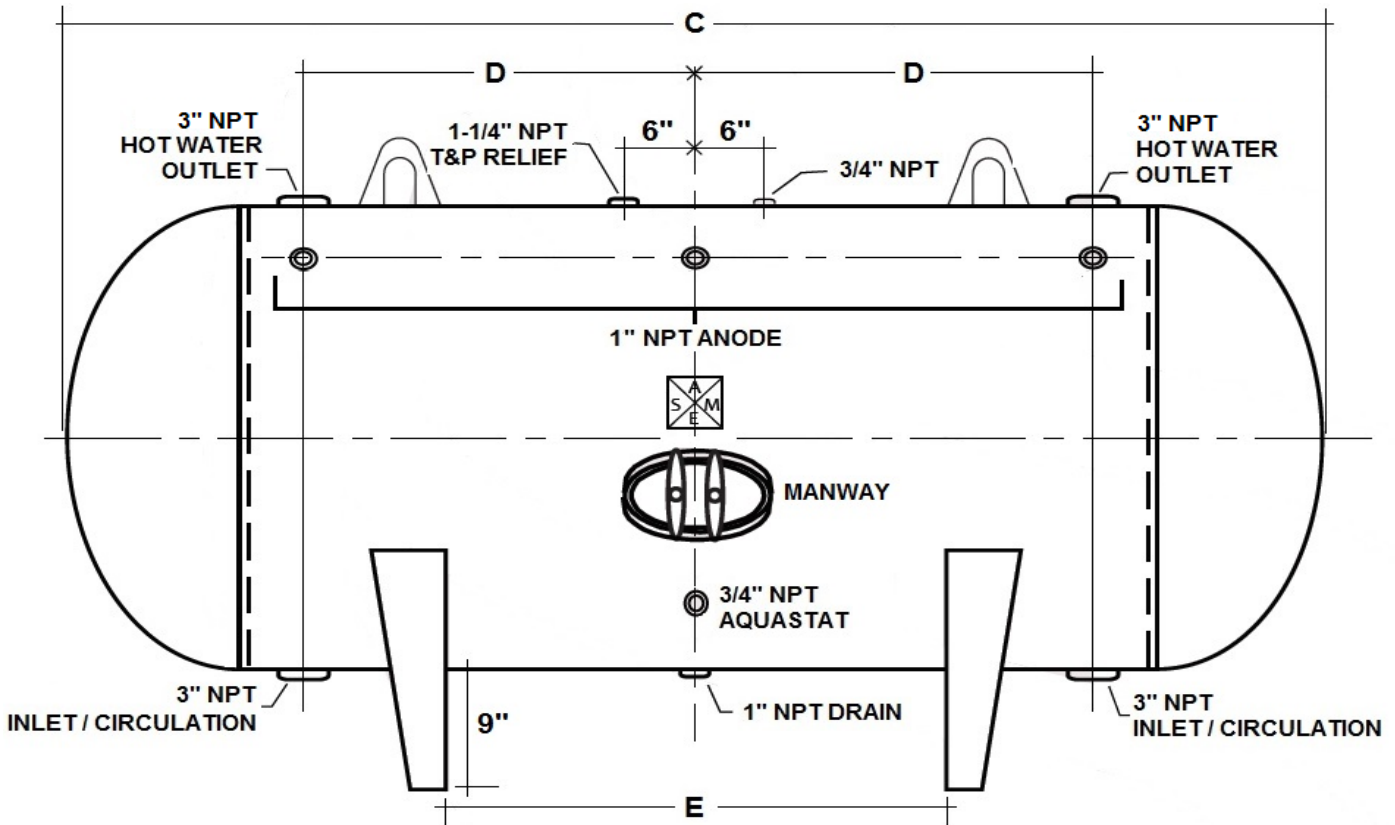
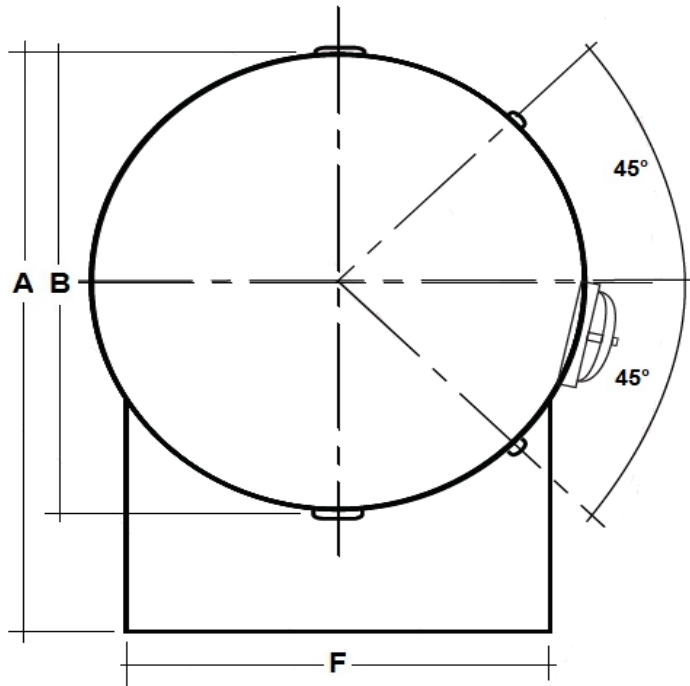
Tank Model TSH645-B*

TECHNICAL DATA	
CAPACITY:	645 Gallon
CONFIGURATION:	Horizontal
INTERIOR (LINING):	*Glass or Epoxy
EXTERIOR:	Red Oxide Primer
DESIGN PRESSURE	125 psi
DESIGN BUILD:	ASME Section IV HLW Carbon Steel
WEIGHT:	1080 lbs

* 1 = 10 Mils Glass Thickness; 2 = 20 Mils Glass Thickness; E = Epoxy

DIMENSIONS		
ID	DESCRIPTION	DIMENSION
A	Height, Overall	51"
B	Diameter	42"
C	Length, Overall	117"
D	Circulation, Conn. To Tank Centerline	42"
E	Saddle Support, Distance Between	60"
F	Saddle Support, Width	36-3/4"

SUBMITTAL	
JOB NAME:	_____
LOCATION:	_____
ENGINEER:	_____
WHOLESALE:	_____
CONTRACTOR:	_____
DATE:	_____



- Notes:
- 1) Tank information is subject to change without notice.
 - 2) Tank options are available; Consult Factory.