

Large Volume Hot Water Storage Tanks

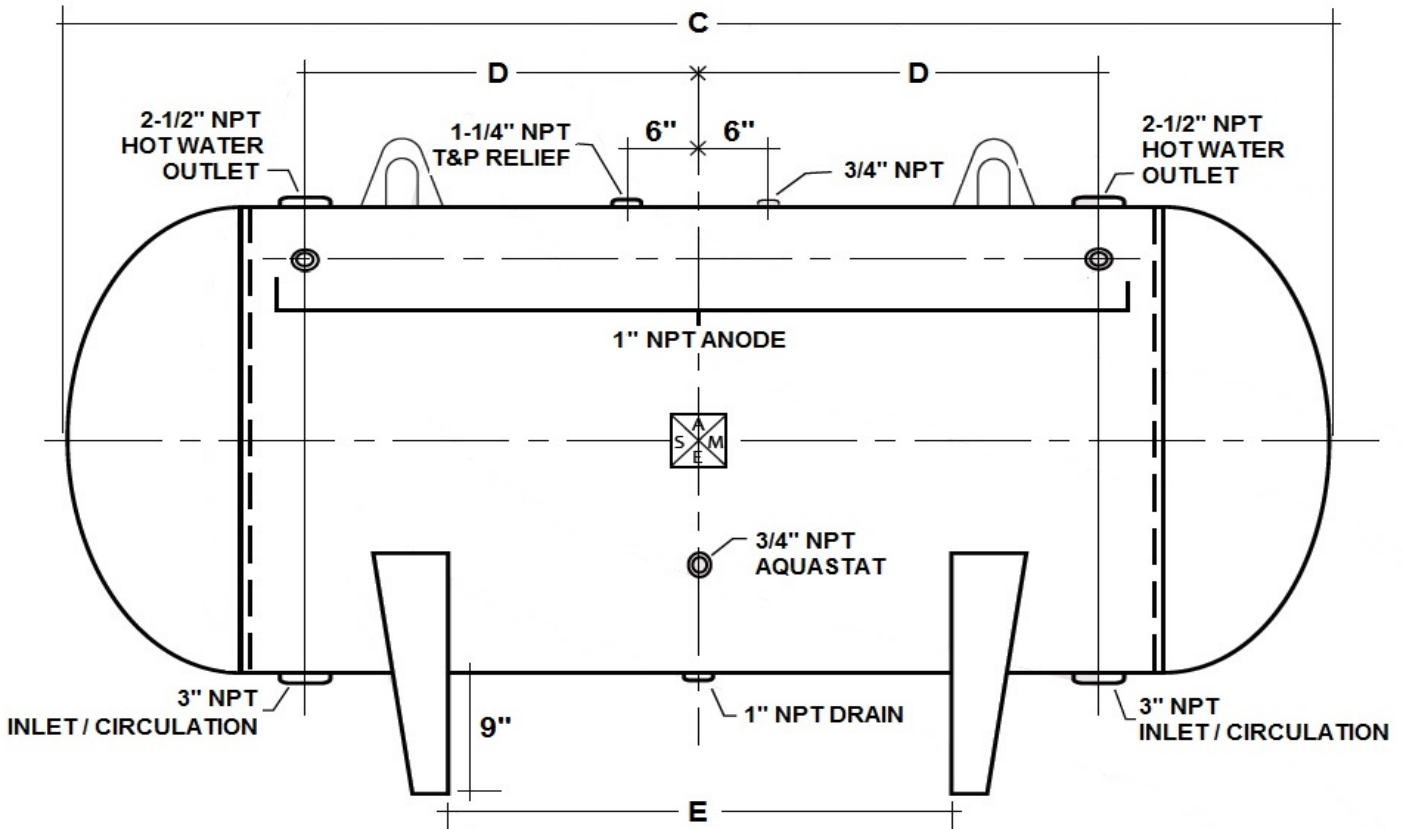
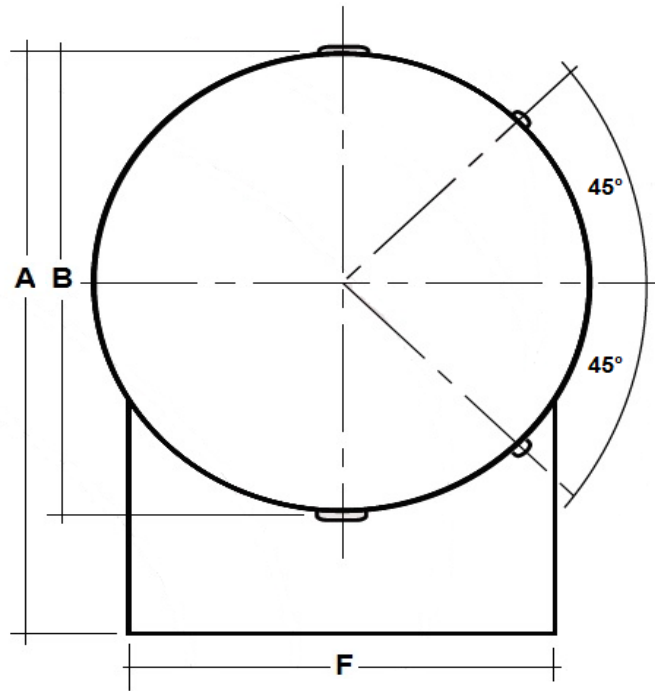
Tank Model TSH360-B*

| TECHNICAL DATA | |
|---------------------------|----------------------------------|
| CAPACITY: | 360 Gallon |
| CONFIGURATION: | Horizontal |
| INTERIOR (LINING): | *Glass or Epoxy |
| EXTERIOR: | Red Oxide Primer |
| DESIGN PRESSURE | 125 psi |
| DESIGN BUILD: | ASME Section IV HLW Carbon Steel |
| WEIGHT: | 690 lbs |

* 1 = 10 Mils Glass Thickness; 2 = 20 Mils Glass Thickness; E = Epoxy

| DIMENSIONS | | |
|------------|---------------------------------------|-----------|
| ID | DESCRIPTION | DIMENSION |
| A | Height, Overall | 45" |
| B | Diameter | 36" |
| C | Length, Overall | 90" |
| D | Circulation, Conn. To Tank Centerline | 30" |
| E | Saddle Support, Distance Between | 36" |
| F | Saddle Support, Width | 31-11/16" |

| SUBMITTAL | |
|--------------------|-------|
| JOB NAME: | _____ |
| LOCATION: | _____ |
| ENGINEER: | _____ |
| WHOLESALER: | _____ |
| CONTRACTOR: | _____ |
| DATE: | _____ |



- Notes:
- 1) Tank information is subject to change without notice.
 - 2) Tank options are available; Consult Factory.