



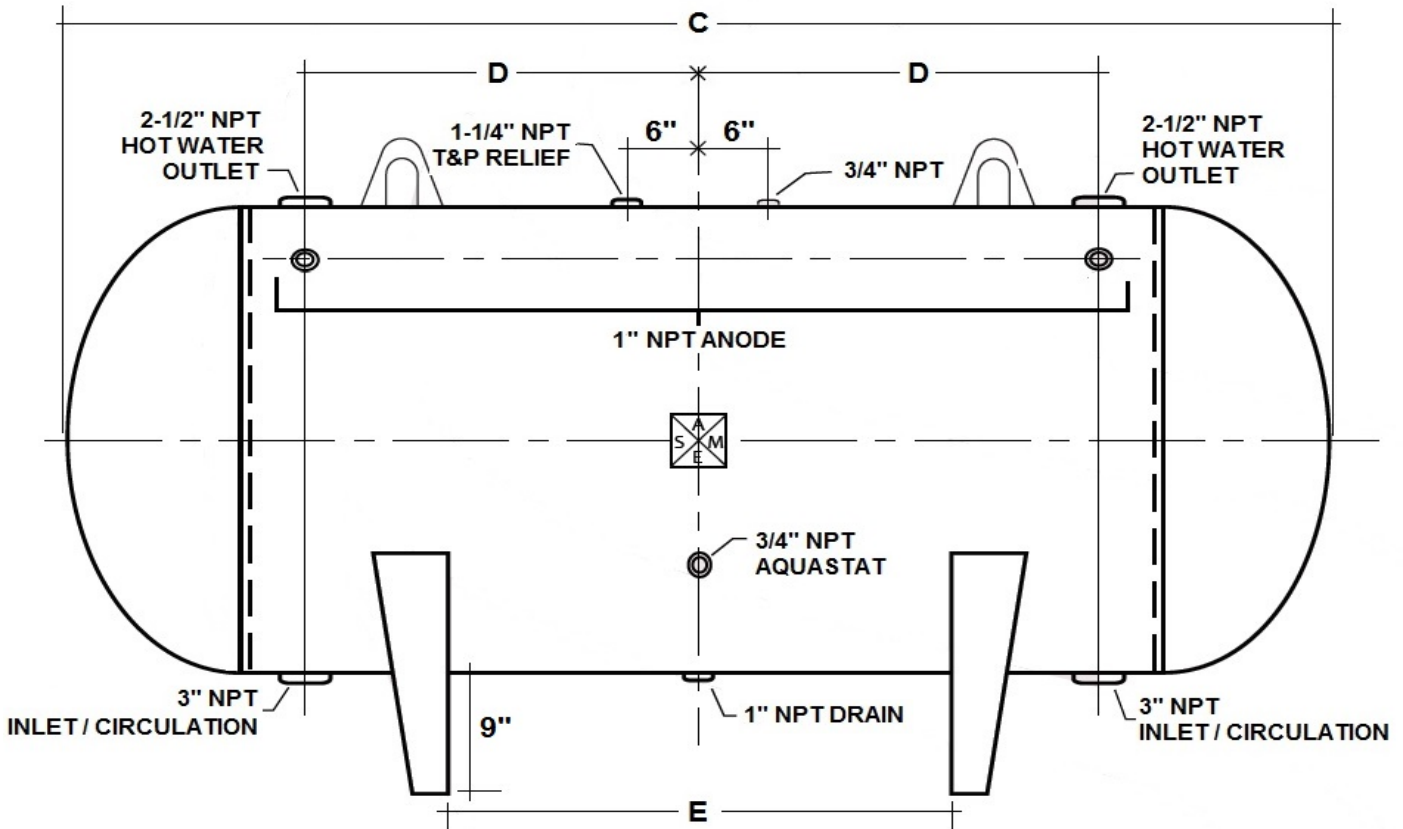
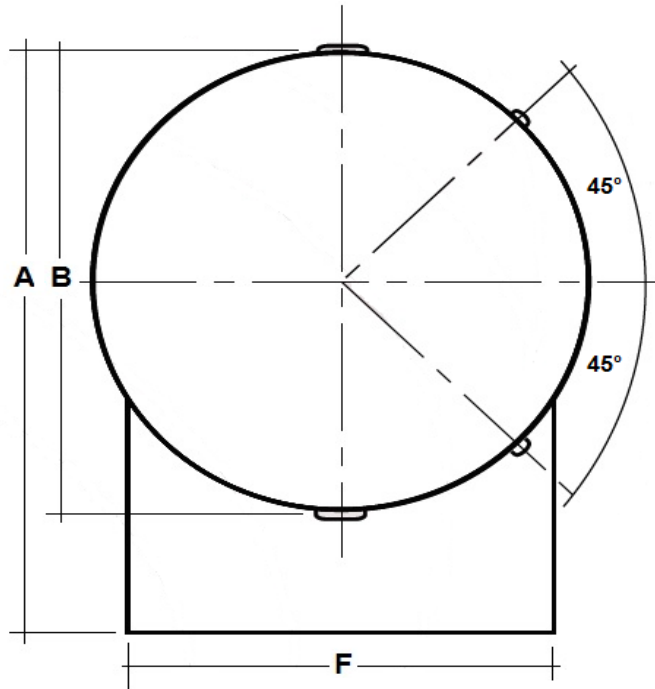
## Large Volume Hot Water Storage Tanks Tank Model TSH285-B\*

TECHNICAL DATA	
<b>CAPACITY:</b>	285 Gallon
<b>CONFIGURATION:</b>	Horizontal
<b>INTERIOR (LINING):</b>	*Glass or Epoxy
<b>EXTERIOR:</b>	Red Oxide Primer
<b>DESIGN PRESSURE</b>	125 psi
<b>DESIGN BUILD:</b>	ASME Section IV HLW Carbon Steel
<b>WEIGHT:</b>	580 lbs

\* 1 = 10 Mils Glass Thickness; 2 = 20 Mils Glass Thickness; E = Epoxy

DIMENSIONS		
ID	DESCRIPITON	DIMENSION
A	Height, Overall	45"
B	Diameter	36"
C	Length, Overall	72"
D	Circulation, Conn. To Tank Centerline	21"
E	Saddle Support, Distance Between	18"
F	Saddle Support, Width	31-11/16"

SUBMITTAL	
JOB NAME:	_____
LOCATION:	_____
ENGINEER:	_____
WHOLESALER:	_____
CONTRACTOR:	_____
DATE:	_____



- Notes:
- 1) Tank information is subject to change without notice.
  - 2) Tank options are available; Consult Factory.