



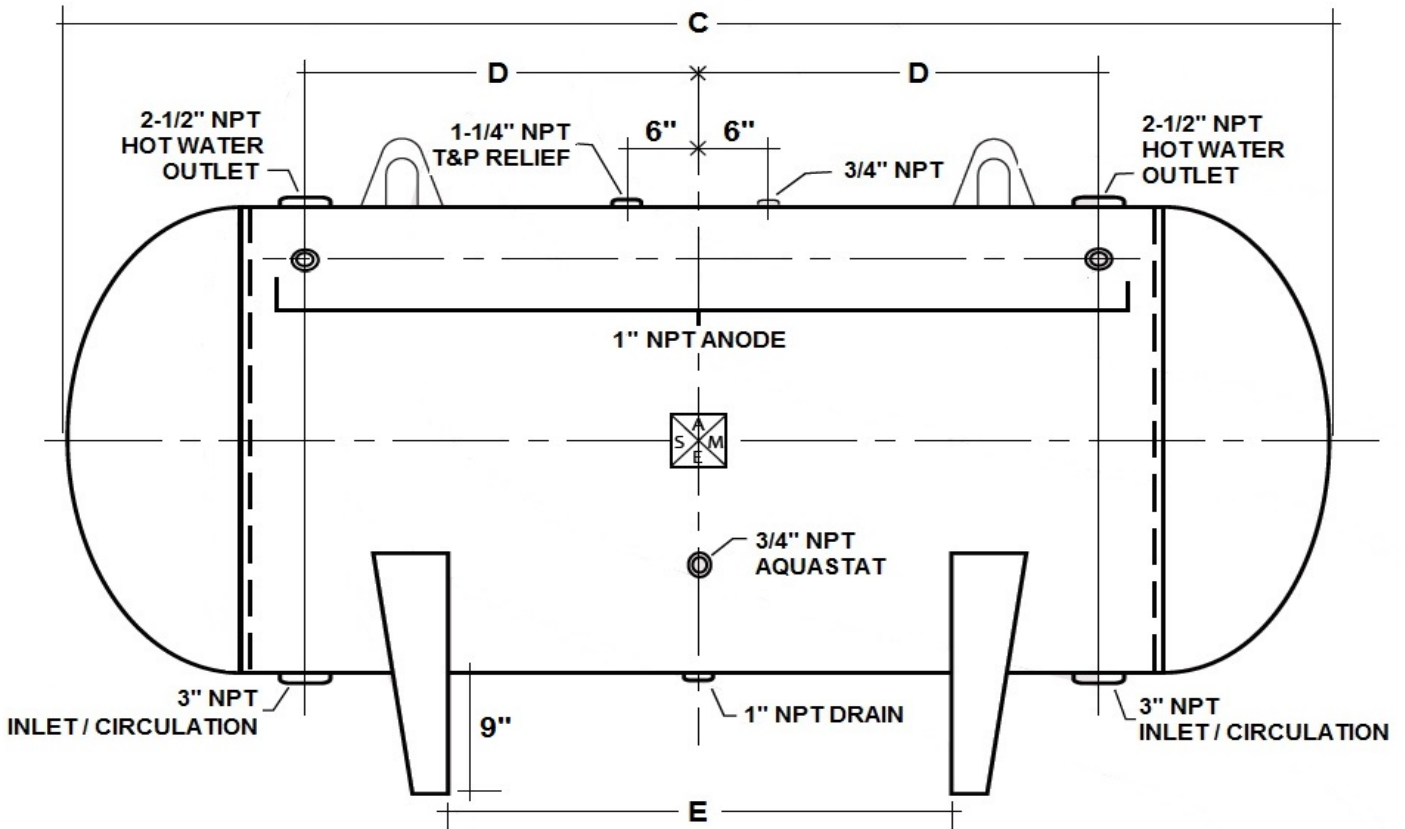
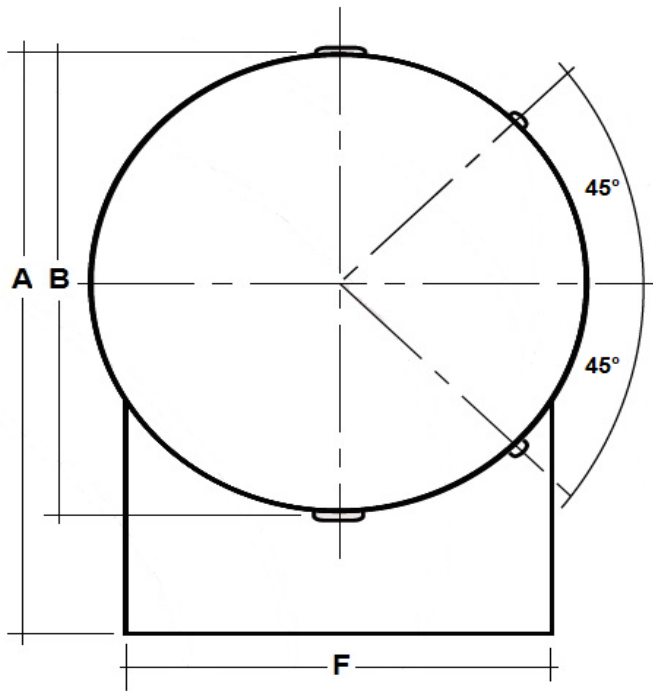
## Large Volume Hot Water Storage Tanks Tank Model TSH240-B\*

TECHNICAL DATA	
<b>CAPACITY:</b>	240 Gallon
<b>CONFIGURATION:</b>	Horizontal
<b>INTERIOR (LINING):</b>	*Glass or Epoxy
<b>EXTERIOR:</b>	Red Oxide Primer
<b>DESIGN PRESSURE</b>	125 psi
<b>DESIGN BUILD:</b>	ASME Section IV HLW Carbon Steel
<b>WEIGHT:</b>	445 lbs

\* 1 = 10 Mils Glass Thickness; 2 = 20 Mils Glass Thickness; E = Epoxy

DIMENSIONS		
ID	DESCRIPITON	DIMENSION
A	Height, Overall	39"
B	Diameter	30"
C	Length, Overall	85"
D	Circulation, Conn. To Tank Centerline	29"
E	Saddle Support, Distance Between	34"
F	Saddle Support, Width	26-3/8"

SUBMITTAL	
JOB NAME:	
LOCATION:	
ENGINEER:	
WHOLESALER:	
CONTRACTOR:	
DATE:	



- Notes:
- 1) Tank information is subject to change without notice.
  - 2) Tank options are available; Consult Factory.