

Submittal Data

PROJECT:	UNIT TAG:	QUANTITY:
REPRESENTATIVE: _____	TYPE OF SERVICE:	DATE: _____
ENGINEER:	SUBMITTED BY:	DATE:
CONTRACTOR:	APPROVED BY:	DATE:
	ORDER NO.:	DATE:

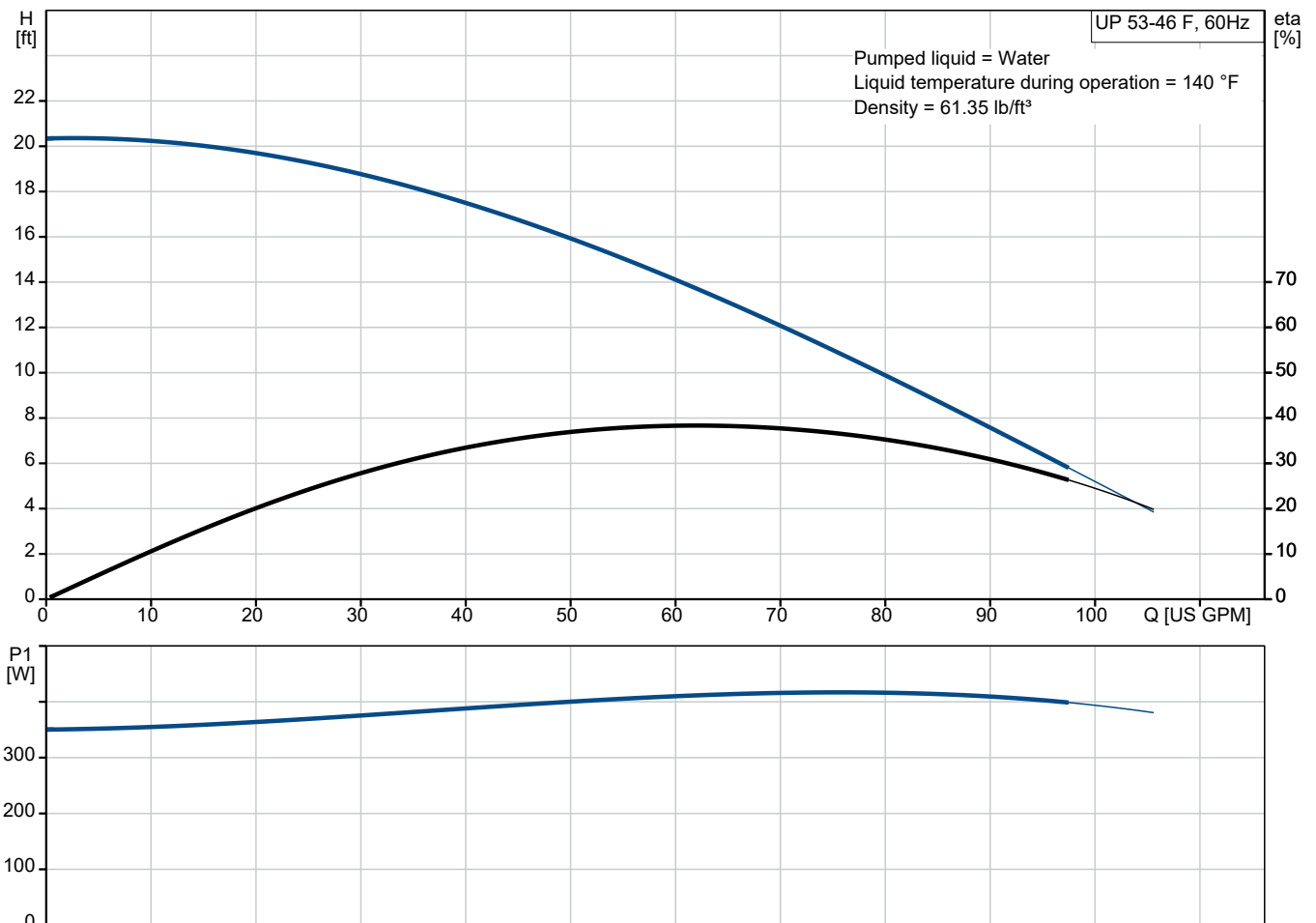


UP 53-46 F

UP is a single-speed circulator pump designed for domestic heating systems. The pump provides reliable and maintenance-free operation as well as low energy consumption throughout its long lifespan.

Note! Product picture may differ from actual product

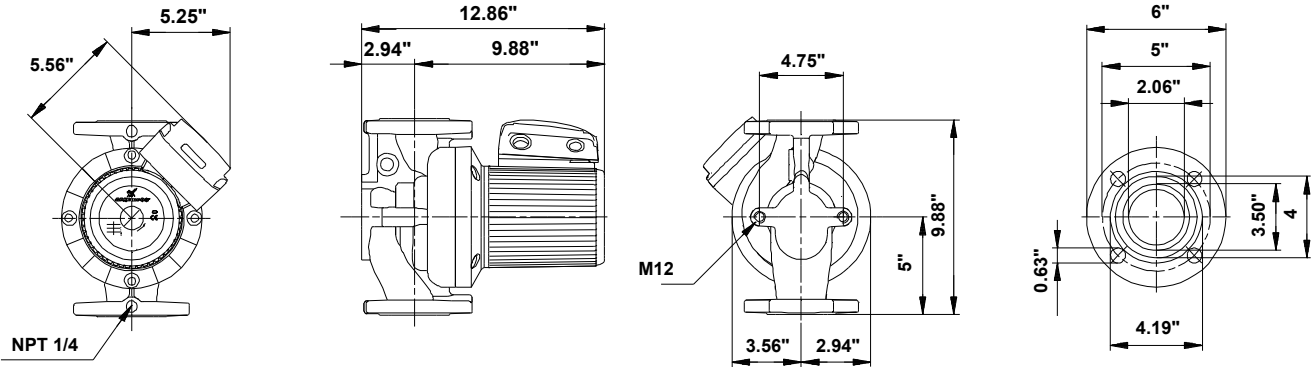
Conditions of Service		Pump Data		Motor Data	
Liquid:	Water	Liquid temperature range:	14 .. 230 °F	Max. power input:	420 W
Temperature:	140 °F	Maximum ambient temperature:	104 °F	Rated voltage:	115-230 V
Specific Gravity:	0.985	Pipe connection:	GF 53	Mains frequency:	60 Hz
		Product number:	96633591	Enclosure class:	X4D
				Thermal protection:	INT.



Submittal Data

4

3



Materials:

- Pump housing: Cast iron
- Pump housing: ASTM 35 B - 40 B
- Impeller: Stainless steel
- Impeller: AISI 304
- Impeller: EN 1.4301

