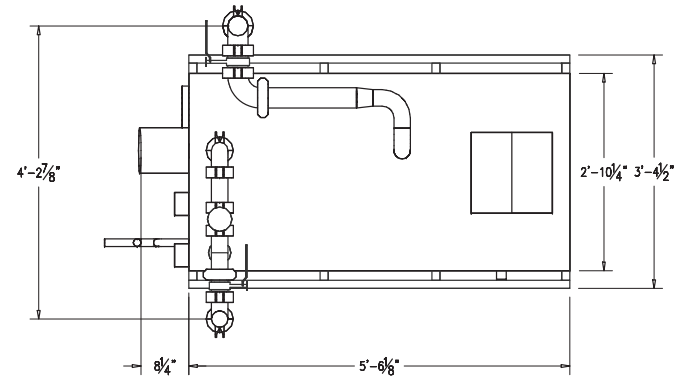


1500 and 2000



- NOTES:
 1. DIMENSIONS MAY VARY
 2. 2-1/2" PIPE AND FITTINGS SHOWN.



PROJ NAME:

STACKED BOILERS

DATE DELIVERY TO SITE:

SUPER:

PHASE NUMBER:

PROJ #:

MODEL 1500 AND 2000