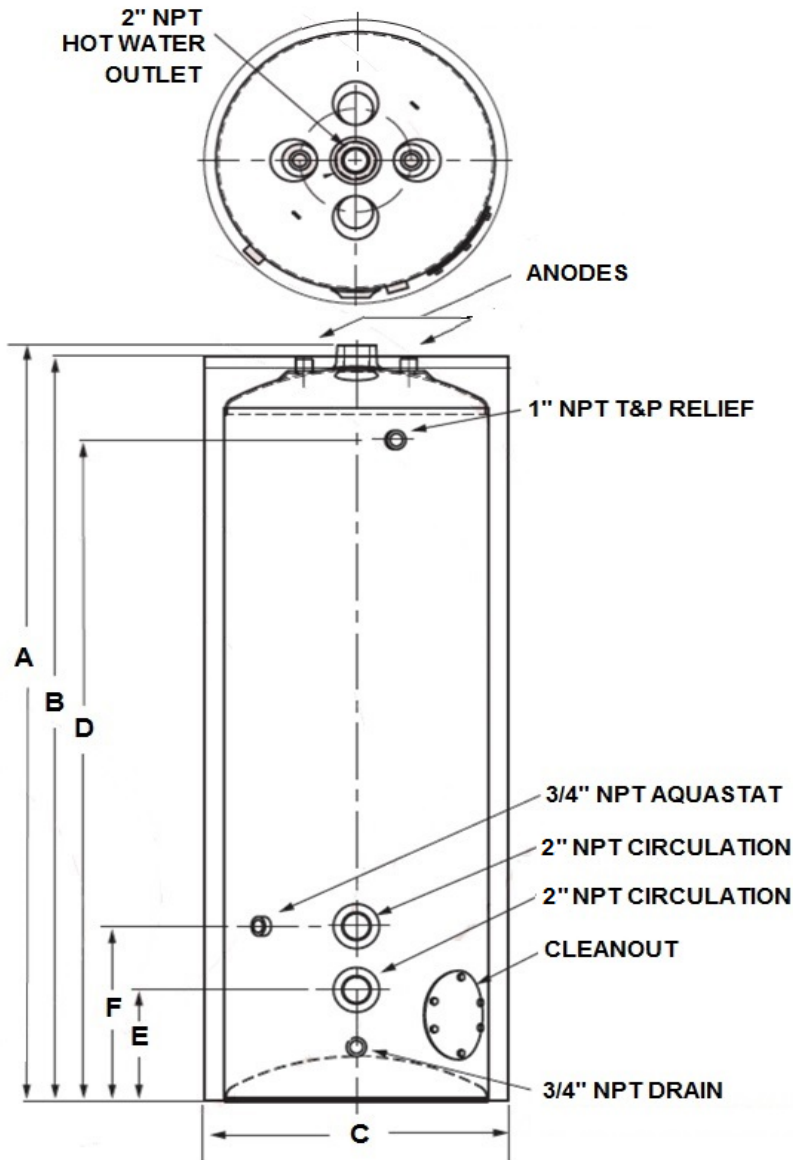




Small Volume Hot Water Storage Tanks Tank Model TSV80-J1



TECHNICAL DATA	
CAPACITY:	80 Gallon
CONFIGURATION:	Vertical
INTERIOR (LINING):	10 Mils Glass Thickness
EXTERIOR:	Steel Jacket with 2" Insulation
DESIGN PRESSURE:	150 psi
DESIGN BUILD:	Non-ASME Carbon Steel
WEIGHT:	192 lbs

DIMENSIONS		
ID	DESCRIPTION	DIMENSION
A	Height, Overall	59-3/4"
B	Height, Top of Jacket	58-3/4"
C	Diameter	24"
D	T&P Conn. To Floor	52-1/2"
E	Circulation, Bottom Conn. To Floor	9-1/4"
F	Circulation, Top Conn. To Floor	14-1/4"

SUBMITTAL	
JOB NAME:	_____
LOCATION:	_____
ENGINEER:	_____
WHOLESALE:	_____
CONTRACTOR:	_____
DATE:	_____

- Notes:
- 1) Tank information is subject to change without notice.
 - 2) Tank options not available.