

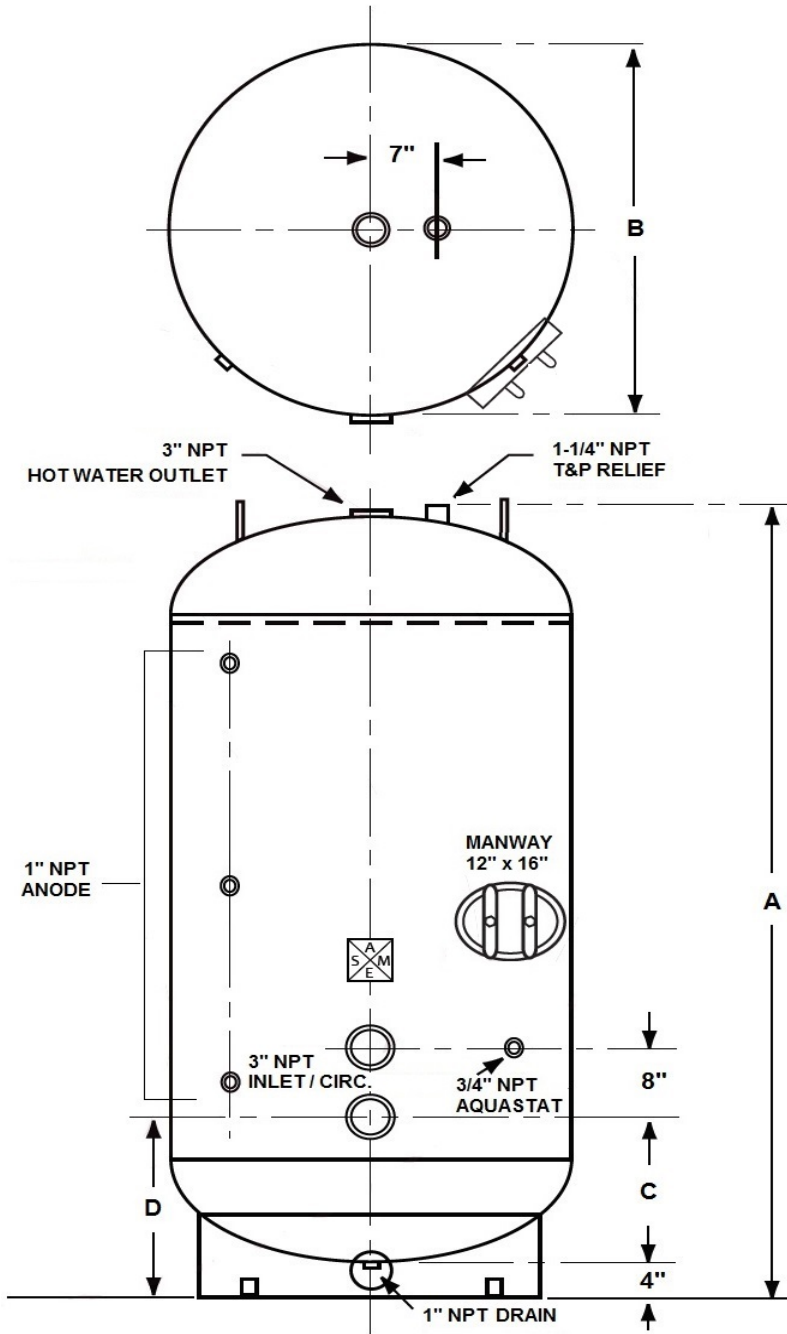
Large Volume Hot Water Storage Tanks Tank Model TSV505-B*

TECHNICAL DATA	
CAPACITY:	505 Gallon
CONFIGURATION:	Vertical
INTERIOR (LINING):	*Glass or Epoxy
EXTERIOR:	Red Oxide Primer
DESIGN PRESSURE:	125 psi
DESIGN BUILD:	ASME Section IV HLW Carbon Steel
WEIGHT:	875 lbs

* 1 = 10 Mils Glass Thickness; 2 = 20 Mils Glass Thickness; E = Epoxy

DIMENSIONS		
ID	DESCRIPITON	DIMENSION
A	Height, Overall	97"
B	Diameter	42"
C	Circ., Bottom Conn. To Tank Bottom	16-1/2"
D	Circulation, Bottom Conn. To Floor	20-1/2"

SUBMITTAL	
JOB NAME:	-----
LOCATION:	-----
ENGINEER:	-----
WHOLESALE:	-----
CONTRACTOR:	-----
DATE:	-----



- Notes:
- 1) Tank information is subject to change without notice.
 - 2) Tank options are available; Consult Factory.