

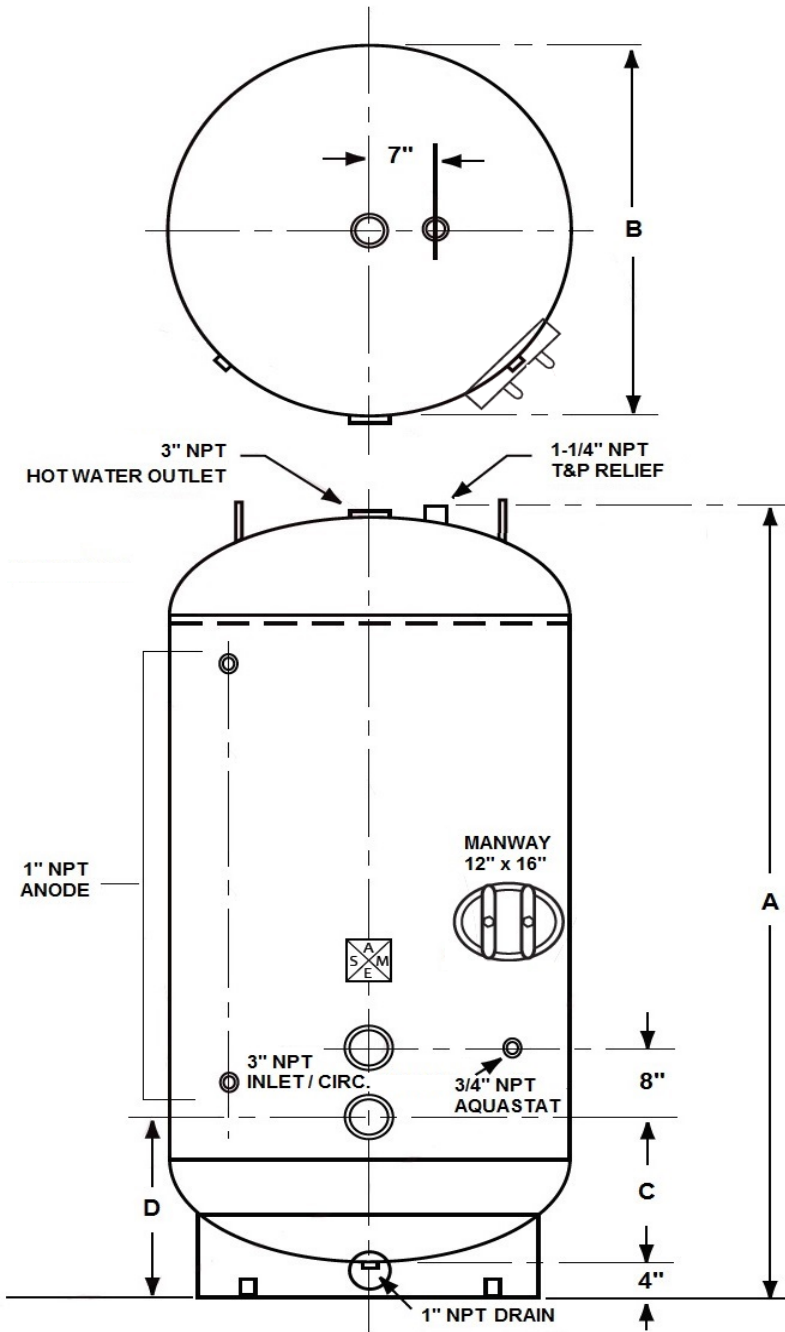
Large Volume Hot Water Storage Tanks Tank Model TSV500-B*

TECHNICAL DATA	
CAPACITY:	500 Gallon
CONFIGURATION:	Vertical
INTERIOR (LINING):	*Glass or Epoxy
EXTERIOR:	Red Oxide Primer
DESIGN PRESSURE:	125 psi
DESIGN BUILD:	ASME Section IV HLW Carbon Steel
WEIGHT:	1040 lbs

* 1 = 10 Mils Glass Thickness; 2 = 20 Mils Glass Thickness; E = Epoxy

DIMENSIONS		
ID	DESCRIPITON	DIMENSION
A	Height, Overall	77"
B	Diameter	48"
C	Circ., Bottom Conn. To Tank Bottom	18"
D	Circulation, Bottom Conn. To Floor	22"

SUBMITTAL	
JOB NAME:
LOCATION:
ENGINEER:
WHOLESALE:
CONTRACTOR:
DATE:



- Notes:
- 1) Tank information is subject to change without notice.
 - 2) Tank options are available; Consult Factory.