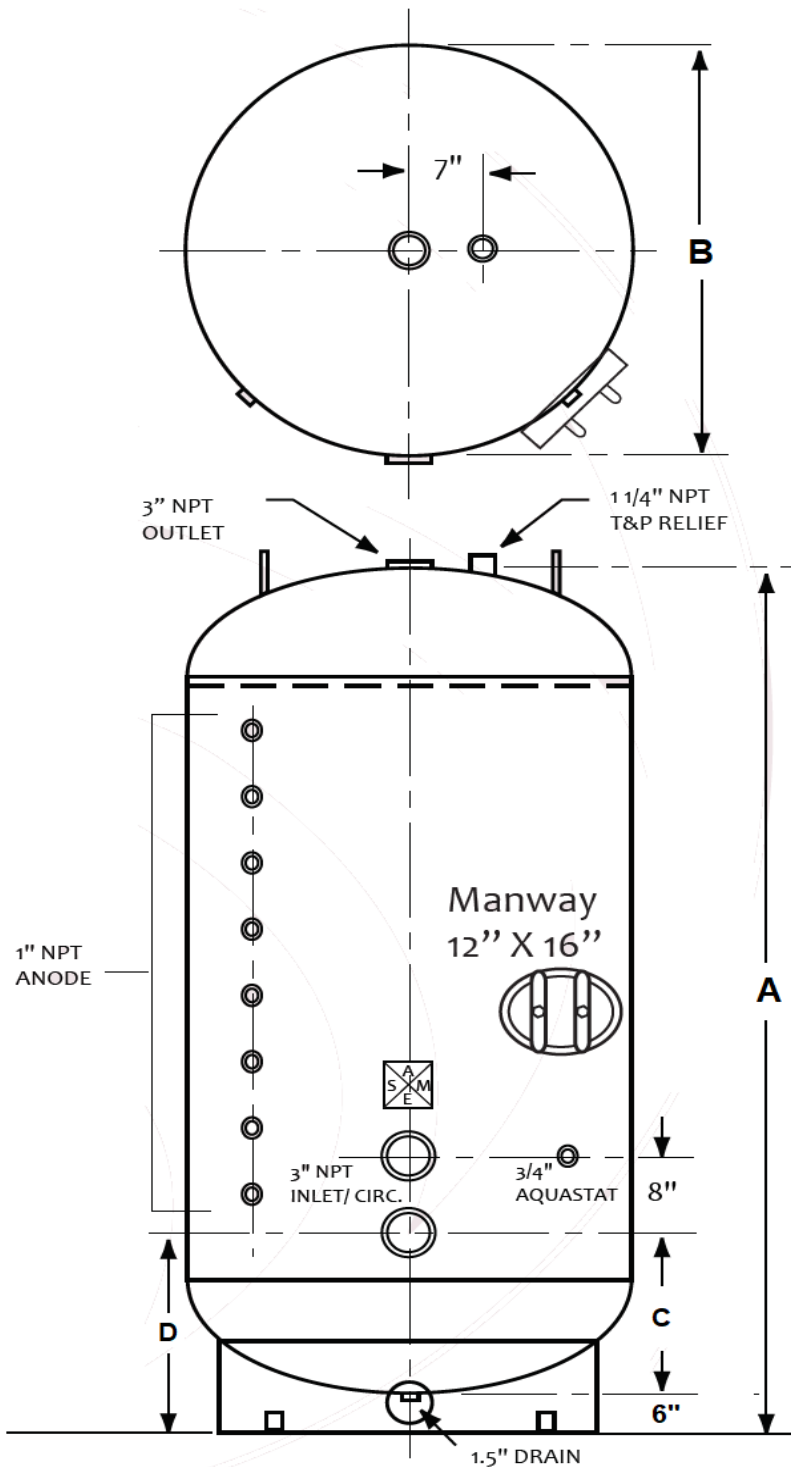




## Large Volume Hot Water Storage Tanks

### Tank Model TSV4045-B\*



#### TECHNICAL DATA

<b>CAPACITY:</b>	4045 Gallon
<b>CONFIGURATION:</b>	Vertical
<b>INTERIOR (LINING):</b>	*Glass or Epoxy
<b>EXTERIOR:</b>	Red Oxide Primer
<b>DESIGN PRESSURE:</b>	125 psi
<b>DESIGN BUILD:</b>	ASME Section IV HLW Carbon Steel
<b>WEIGHT:</b>	6109 lbs

\* 1 = 10 Mils Glass Thickness; 2 = 20 Mils Glass Thickness; E = Epoxy

#### DIMENSIONS

ID	DESCRIPITON	DIMENSION
A	Height, Overall	192"
B	Diameter	84"
C	Circ., Bottom Conn. To Tank Bottom	27"
D	Circulation, Bottom Conn. To Floor	33"

#### SUBMITTAL

<b>JOB NAME:</b>	
<b>LOCATION:</b>	
<b>ENGINEER:</b>	
<b>WHOLESALE:</b>	
<b>CONTRACTOR:</b>	
<b>DATE:</b>	

#### Notes:

- 1) Tank information is subject to change without notice.
- 2) Tank options are available; Consult Factory.