

## Large Volume Hot Water Storage Tanks

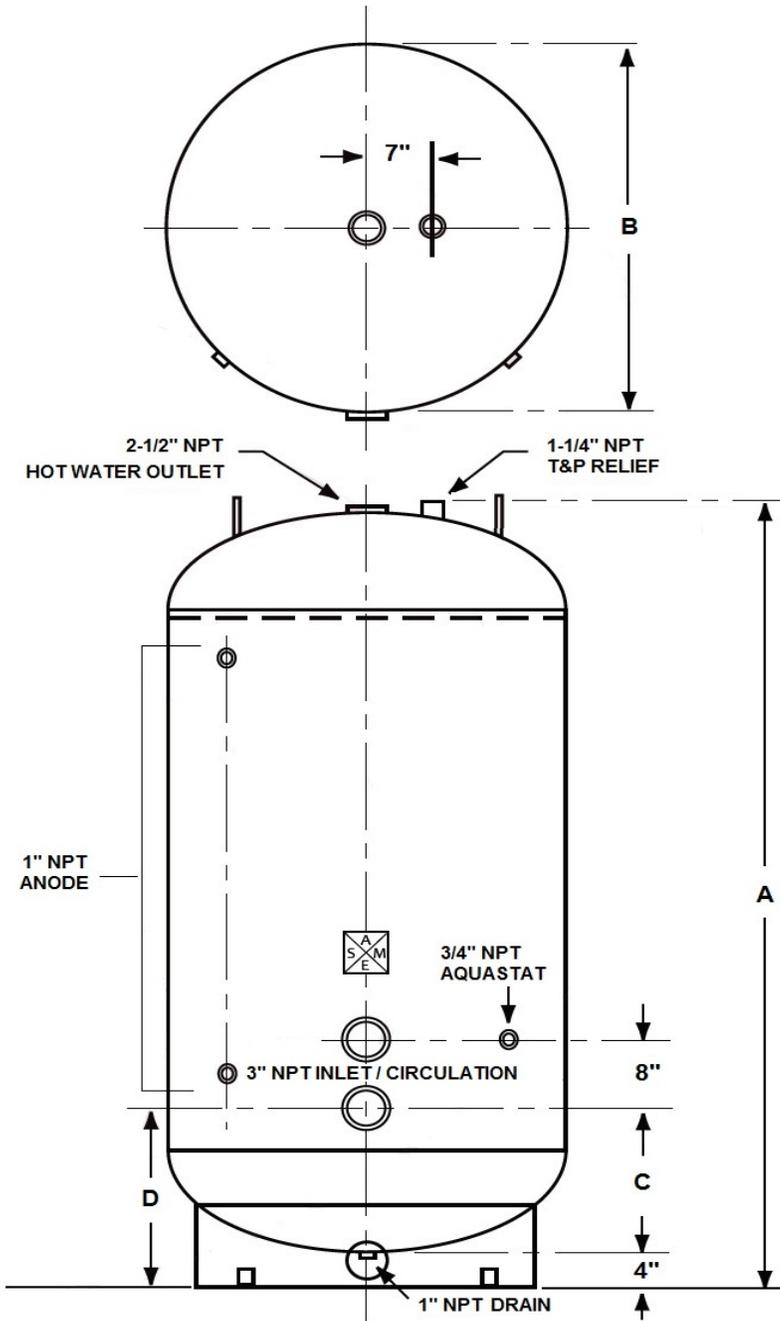
### Tank Model TSV360-B\*

| TECHNICAL DATA            |                                  |
|---------------------------|----------------------------------|
| <b>CAPACITY:</b>          | 360 Gallon                       |
| <b>CONFIGURATION:</b>     | Vertical                         |
| <b>INTERIOR (LINING):</b> | *Glass or Epoxy                  |
| <b>EXTERIOR:</b>          | Red Oxide Primer                 |
| <b>DESIGN PRESSURE:</b>   | 125 psi                          |
| <b>DESIGN BUILD:</b>      | ASME Section IV HLW Carbon Steel |
| <b>WEIGHT:</b>            | 665 lbs                          |

\* 1 = 10 Mils Glass Thickness; 2 = 20 Mils Glass Thickness; E = Epoxy

| DIMENSIONS |                                    |           |
|------------|------------------------------------|-----------|
| ID         | DESCRIPITON                        | DIMENSION |
| A          | Height, Overall                    | 94"       |
| B          | Diameter                           | 36"       |
| C          | Circ., Bottom Conn. To Tank Bottom | 15"       |
| D          | Circulation, Bottom Conn. To Floor | 19"       |

| SUBMITTAL          |       |
|--------------------|-------|
| <b>JOB NAME:</b>   | ----- |
| <b>LOCATION:</b>   | ----- |
| <b>ENGINEER:</b>   | ----- |
| <b>WHOLESALE:</b>  | ----- |
| <b>CONTRACTOR:</b> | ----- |
| <b>DATE:</b>       | ----- |



**Notes:**

- 1) Tank information is subject to change without notice.
- 2) Tank options are available; Consult Factory.