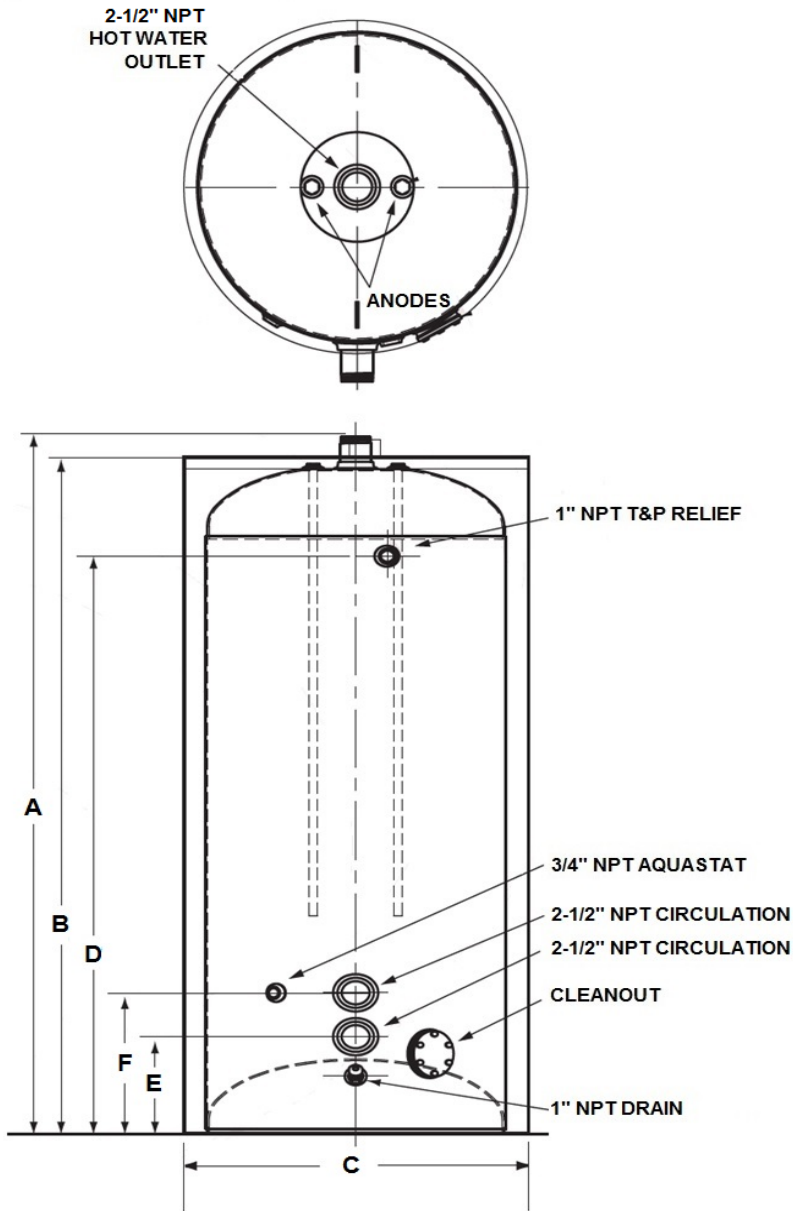




Small Volume Hot Water Storage Tanks Tank Model TSV200-J1-A



TECHNICAL DATA	
CAPACITY:	200 Gallon
CONFIGURATION:	Vertical
INTERIOR (LINING):	10 Mils Glass Thickness
EXTERIOR:	Steel Jacket with 2" Insulation
DESIGN PRESSURE:	150 psi
DESIGN BUILD:	ASME Section IV HLW Carbon Steel
WEIGHT:	541 lbs

DIMENSIONS		
ID	DESCRIPITON	DIMENSION
A	Height, Overall	78"
B	Height, Top of Jacket	77"
C	Diameter	32"
D	T&P Conn. To Floor	66"
E	Circulation, Bottom Conn. To Floor	16-1/4"
F	Circulation, Top Conn. To Floor	11-1/4"

SUBMITTAL	
JOB NAME:	-----
LOCATION:	-----
ENGINEER:	-----
WHOLESALE:	-----
CONTRACTOR:	-----
DATE:	-----

Notes:

- 1) Tank information is subject to change without notice.
- 2) Tank options not available.