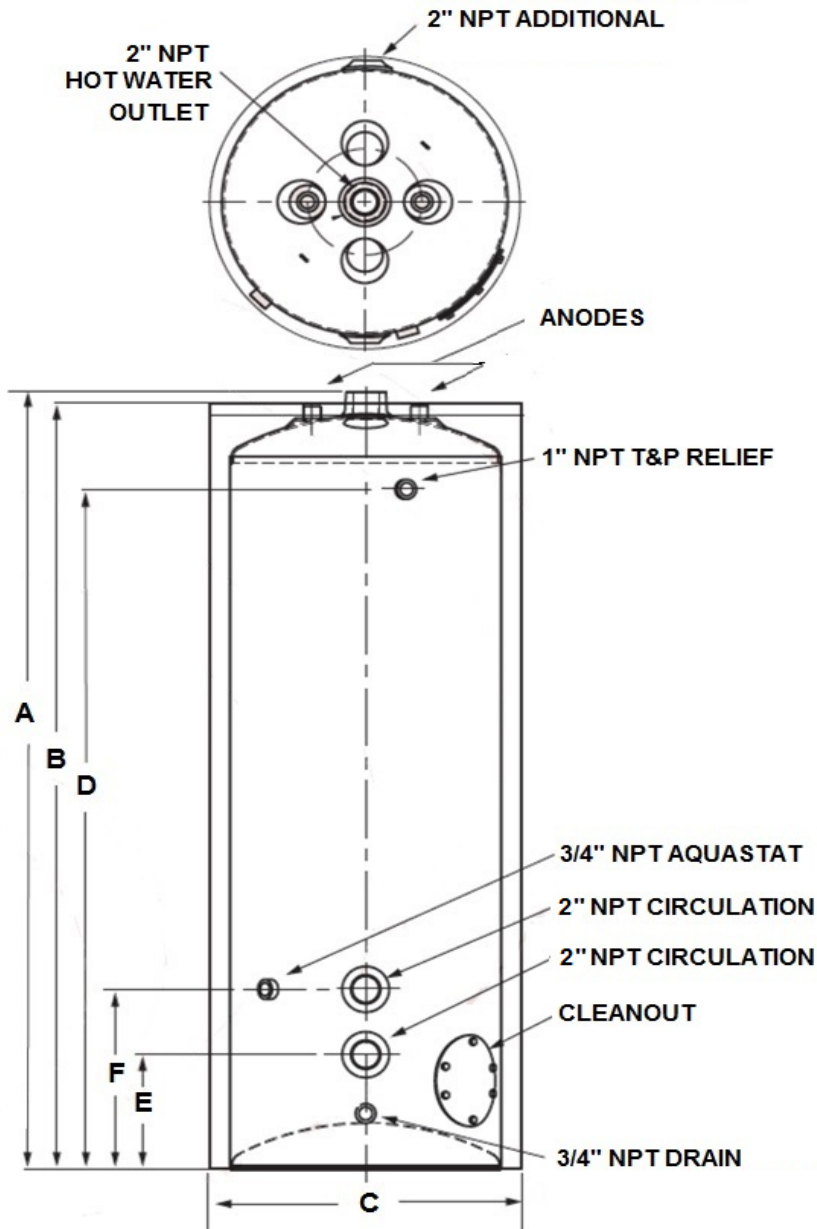




## Small Volume Hot Water Storage Tanks Tank Model TSV119-J1-A



TECHNICAL DATA	
<b>CAPACITY:</b>	119 Gallon
<b>CONFIGURATION:</b>	Vertical
<b>INTERIOR (LINING):</b>	10 Mills Glass Thickness
<b>EXTERIOR:</b>	Steel Jacket with 2" Insulation
<b>DESIGN PRESSURE:</b>	150 psi
<b>DESIGN BUILD:</b>	ASME Section IV HLW Carbon Steel
<b>WEIGHT:</b>	225 lbs

DIMENSIONS		
ID	DESCRIPITON	DIMENSION
A	Height, Overall	63-1/2"
B	Height, Top of Jacket	62-1/2"
C	Diameter	28"
D	T&P Conn. To Floor	55-3/4"
E	Circulation, Bottom Conn. To Floor	9-1/4"
F	Circulation, Top Conn. To Floor	14-1/4"

SUBMITTAL	
<b>JOB NAME:</b>	_____
<b>LOCATION:</b>	_____
<b>ENGINEER:</b>	_____
<b>WHOLESALER:</b>	_____
<b>CONTRACTOR:</b>	_____
<b>DATE:</b>	_____

**Notes:**

- 1) Tank information is subject to change without notice.
- 2) Tank options not available.