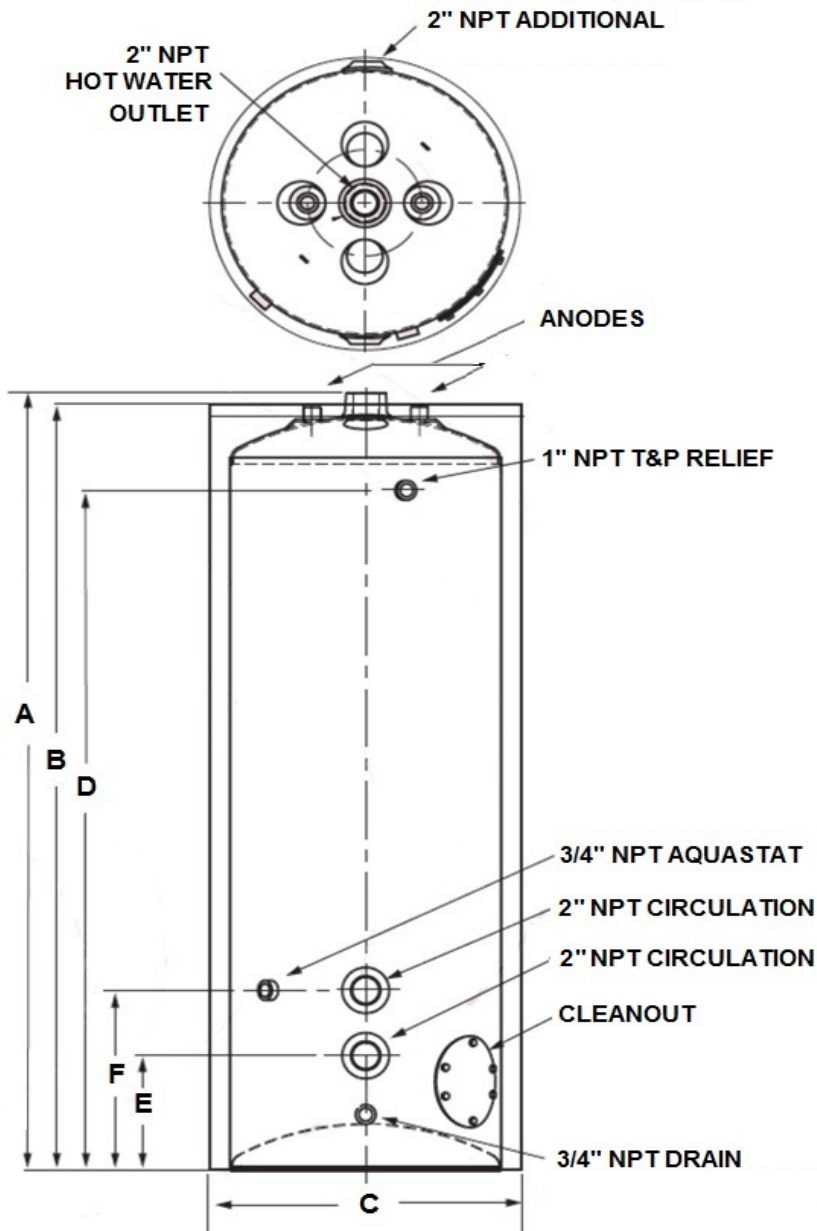




Small Volume Hot Water Storage Tanks Tank Model TSV119-J1



TECHNICAL DATA	
CAPACITY:	119 Gallon
CONFIGURATION:	Vertical
INTERIOR (LINING):	10 Mills Glass Thickness
EXTERIOR:	Steel Jacket with 2" Insulation
DESIGN PRESSURE:	150 psi
DESIGN BUILD:	Non-ASME Carbon Steel
WEIGHT:	225 lbs

DIMENSIONS		
ID	DESCRIPITON	DIMENSION
A	Height, Overall	63-1/2"
B	Height, Top of Jacket	62-1/2"
C	Diameter	28"
D	T&P Conn. To Floor	55-3/4"
E	Circulation, Bottom Conn. To Floor	9-1/4"
F	Circulation, Top Conn. To Floor	14-1/4"

SUBMITTAL	
JOB NAME:	_____
LOCATION:	_____
ENGINEER:	_____
WHOLESALE:	_____
CONTRACTOR:	_____
DATE:	_____

Notes:

- 1) Tank information is subject to change without notice.
- 2) Tank options not available.