



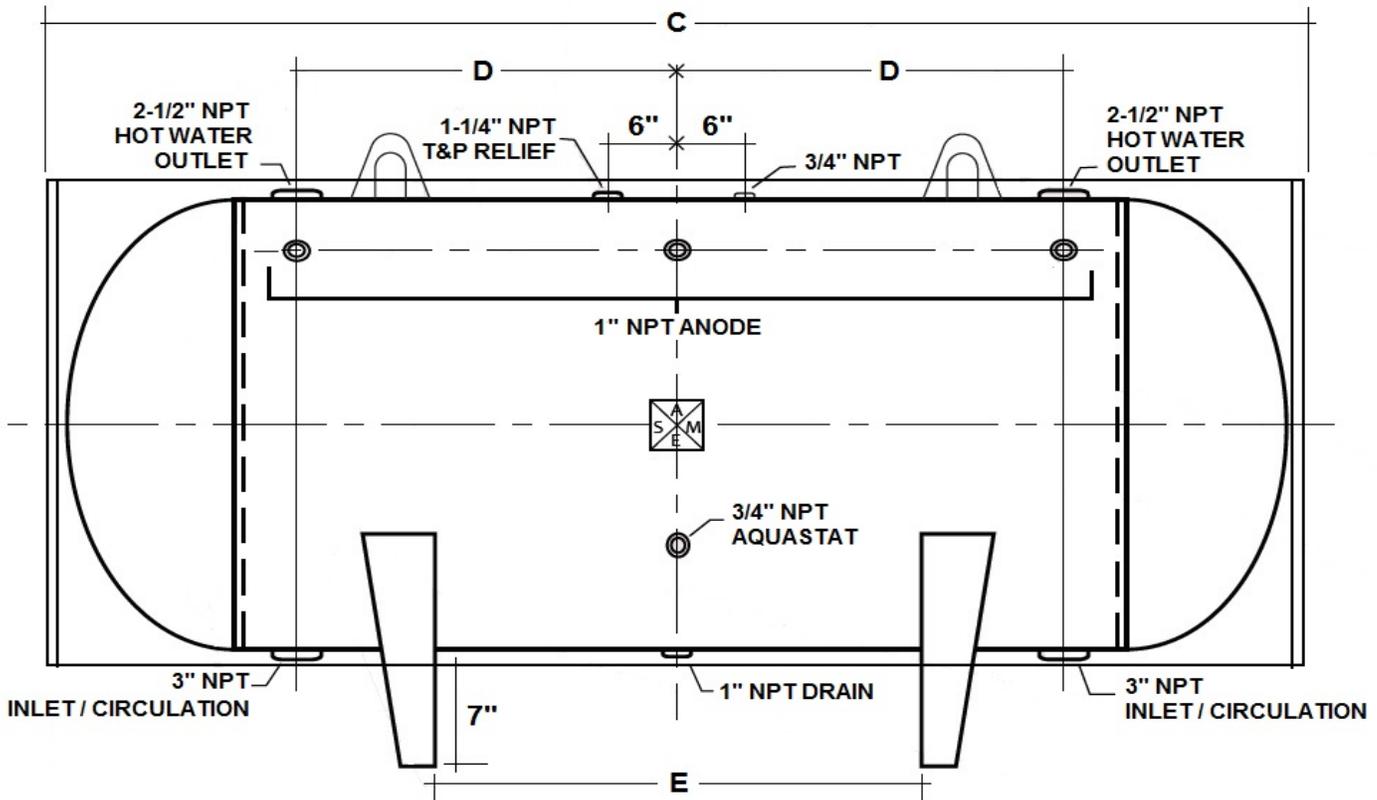
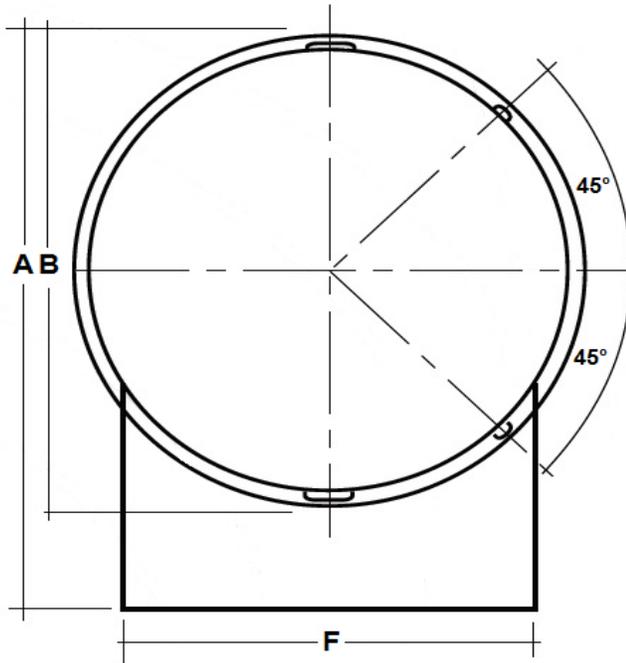
## Large Volume Hot Water Storage Tanks Tank Model TSH515-J\*

TECHNICAL DATA	
<b>CAPACITY:</b>	515 Gallon
<b>CONFIGURATION:</b>	Horizontal
<b>INTERIOR (LINING):</b>	*Glass or Epoxy
<b>EXTERIOR:</b>	Steel Jacket with 2" Insulation
<b>DESIGN PRESSURE</b>	125 psi
<b>DESIGN BUILD:</b>	ASME Section IV HLW Carbon Steel
<b>WEIGHT:</b>	1260 lbs

\* 1 = 10 Mils Glass Thickness; 2 = 20 Mils Glass Thickness; E = Epoxy

DIMENSIONS		
ID	DESCRIPTION	DIMENSION
A	Height, Overall	47"
B	Diameter	40"
C	Length, Overall	130"
D	Circulation, Conn. To Tank Centerline	48"
E	Saddle Support, Distance Between	72"
F	Saddle Support, Width	31-11/16"

SUBMITTAL	
JOB NAME:	
LOCATION:	
ENGINEER:	
WHOLESALE:	
CONTRACTOR:	
DATE:	



- Notes:
- 1) Tank information is subject to change without notice.
  - 2) Tank options are available; Consult Factory.