

Large Volume Hot Water Storage Tanks

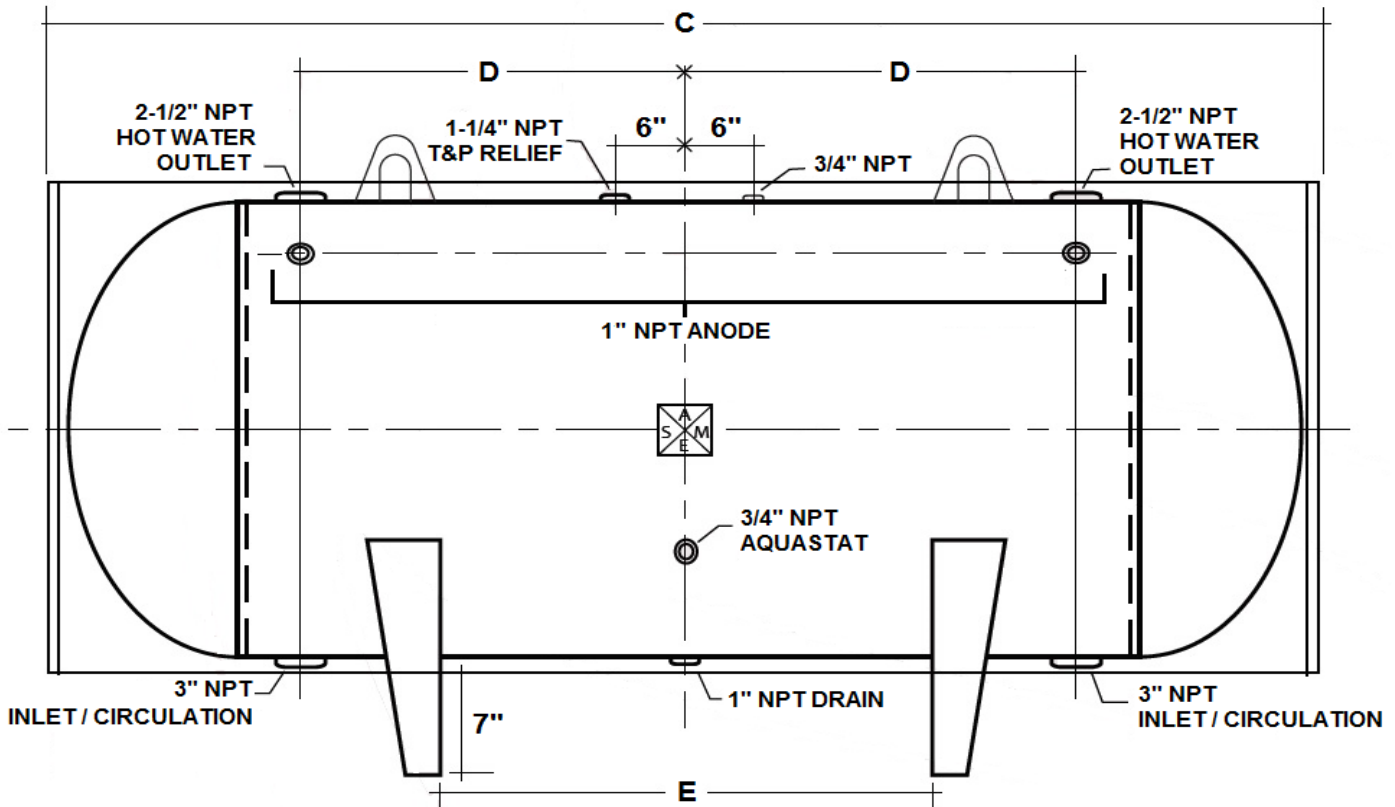
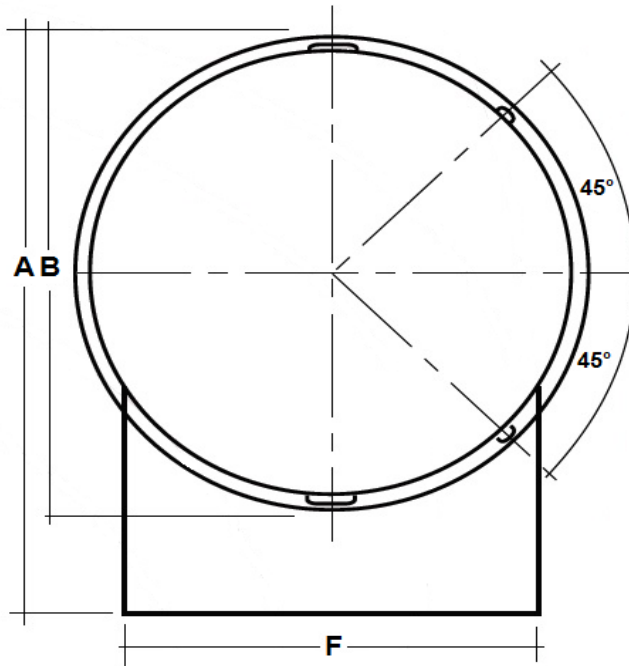
Tank Model TSH285-J*

TECHNICAL DATA	
CAPACITY:	285 Gallon
CONFIGURATION:	Horizontal
INTERIOR (LINING):	*Glass or Epoxy
EXTERIOR:	Steel Jacket with 2" Insulation
DESIGN PRESSURE	125 psi
DESIGN BUILD:	ASME Section IV HLW Carbon Steel
WEIGHT:	780 lbs

* 1 = 10 Mils Glass Thickness; 2 = 20 Mils Glass Thickness; E = Epoxy

DIMENSIONS		
ID	DESCRIPTION	DIMENSION
A	Height, Overall	47"
B	Diameter	40"
C	Length, Overall	76"
D	Circulation, Conn. To Tank Centerline	21"
E	Saddle Support, Distance Between	18"
F	Saddle Support, Width	31-11/16"

SUBMITTAL	
JOB NAME:	
LOCATION:	
ENGINEER:	
WHOLESALER:	
CONTRACTOR:	
DATE:	



Notes:

- 1) Tank information is subject to change without notice.
- 2) Tank options are available; Consult Factory.