

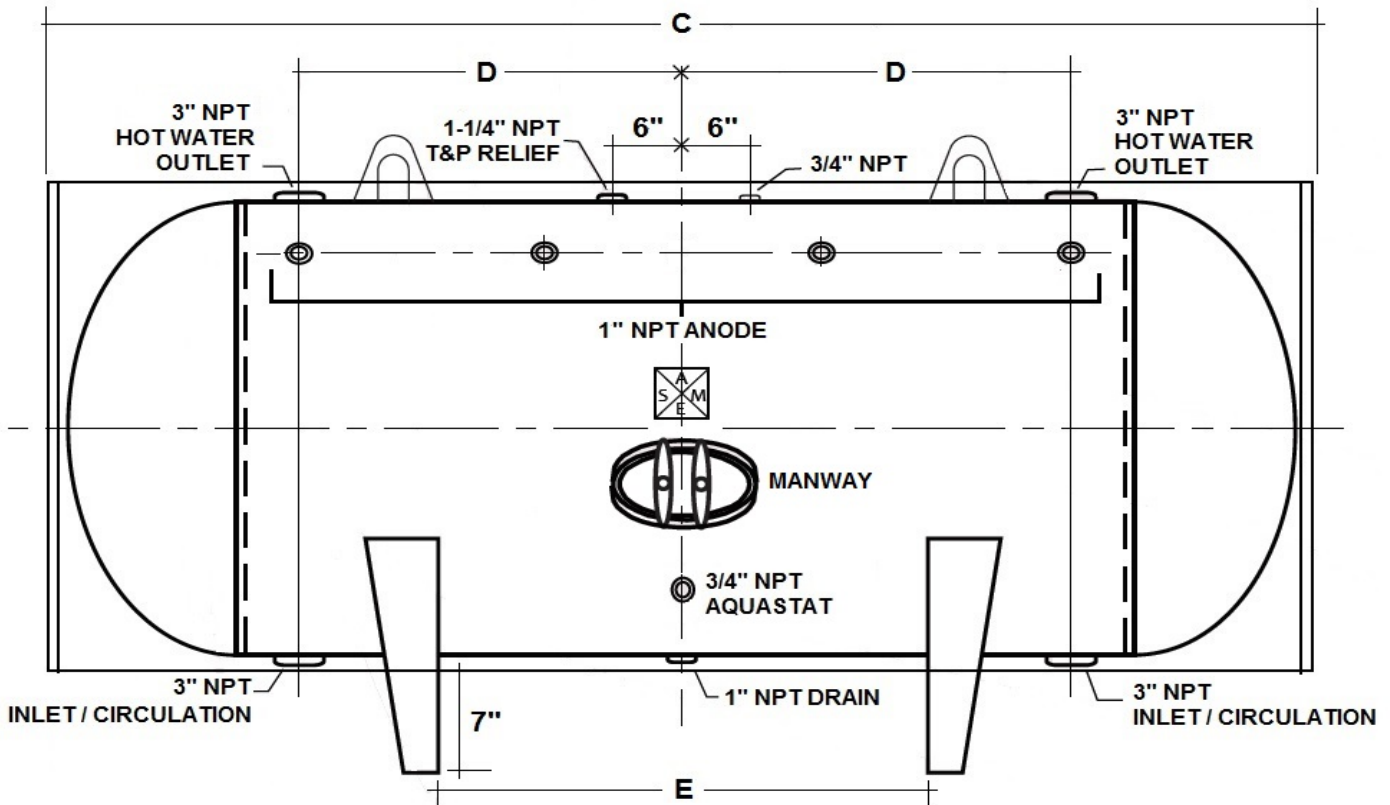
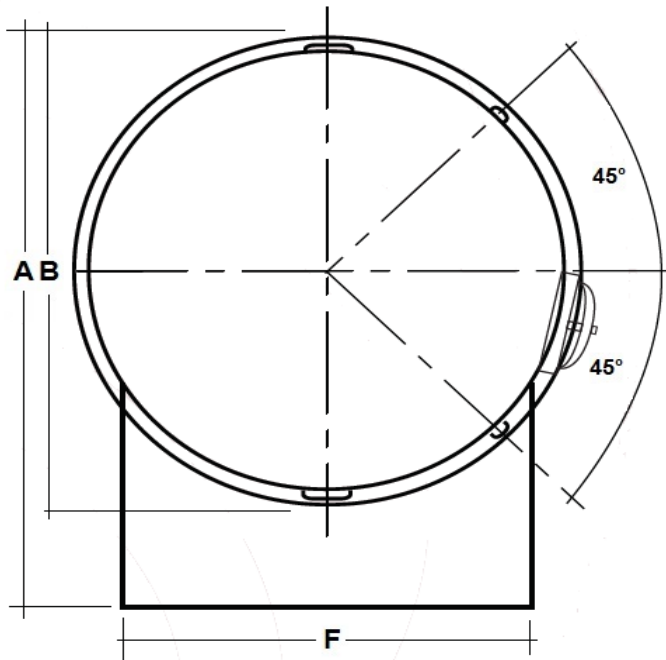
## Large Volume Hot Water Storage Tanks Tank Model TSH1245-J\*

TECHNICAL DATA	
<b>CAPACITY:</b>	1245 Gallon
<b>CONFIGURATION:</b>	Horizontal
<b>INTERIOR (LINING):</b>	*Glass or Epoxy
<b>EXTERIOR:</b>	Steel Jacket with 2" Insulation
<b>DESIGN PRESSURE</b>	125 psi
<b>DESIGN BUILD:</b>	ASME Section IV HLW Carbon Steel
<b>WEIGHT:</b>	3125 lbs

\* 1 = 10 Mils Glass Thickness; 2 = 20 Mils Glass Thickness; E = Epoxy

DIMENSIONS		
ID	DESCRIPITON	DIMENSION
A	Height, Overall	71"
B	Diameter	64"
C	Length, Overall	118"
D	Circulation, Conn. To Tank Centerline	24"
E	Saddle Support, Distance Between	45-1/2"
F	Saddle Support, Width	52-1/2"

SUBMITTAL	
<b>JOB NAME:</b>	
<b>LOCATION:</b>	
<b>ENGINEER:</b>	
<b>WHOLESALER:</b>	
<b>CONTRACTOR:</b>	
<b>DATE:</b>	



**Notes:**

- 1) Tank information is subject to change without notice.
- 2) Tank options are available; Consult Factory.