

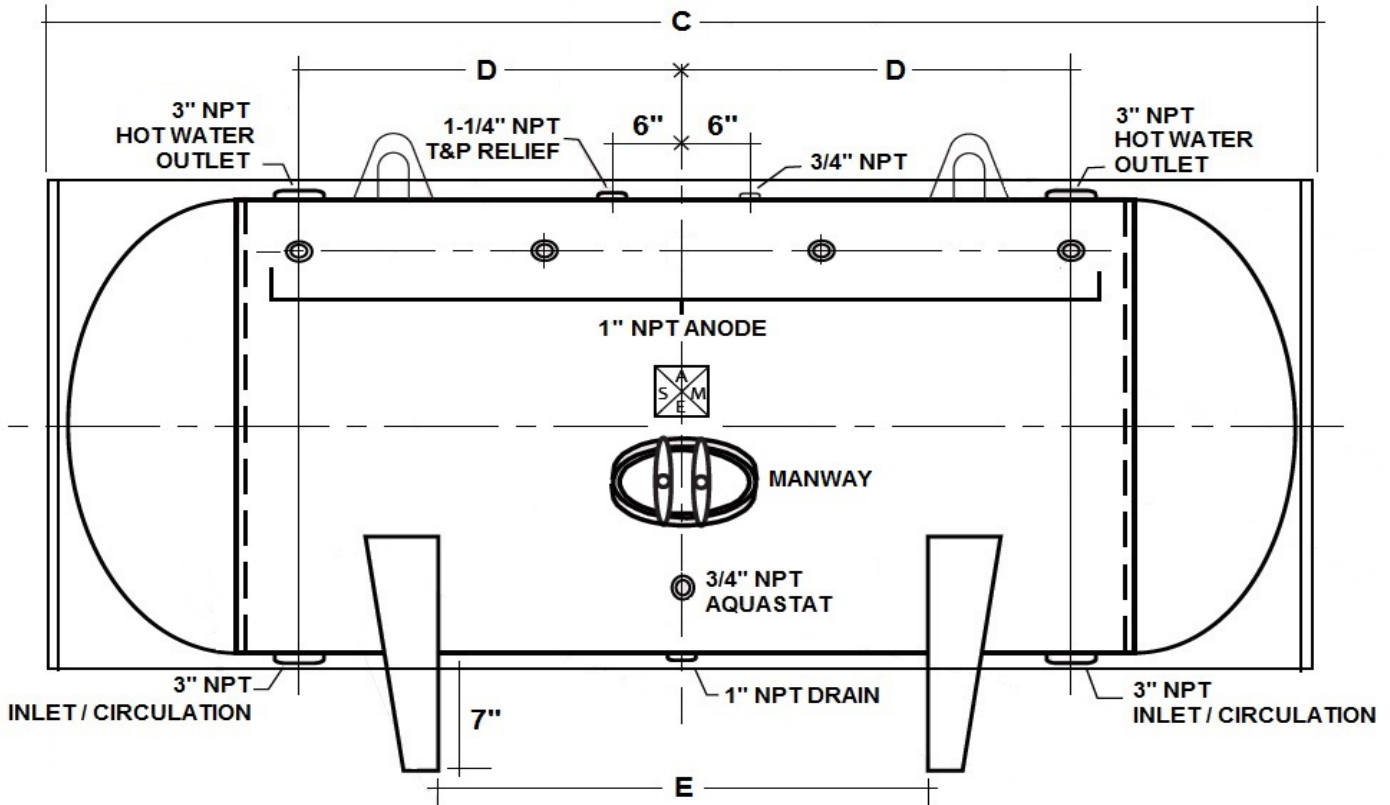
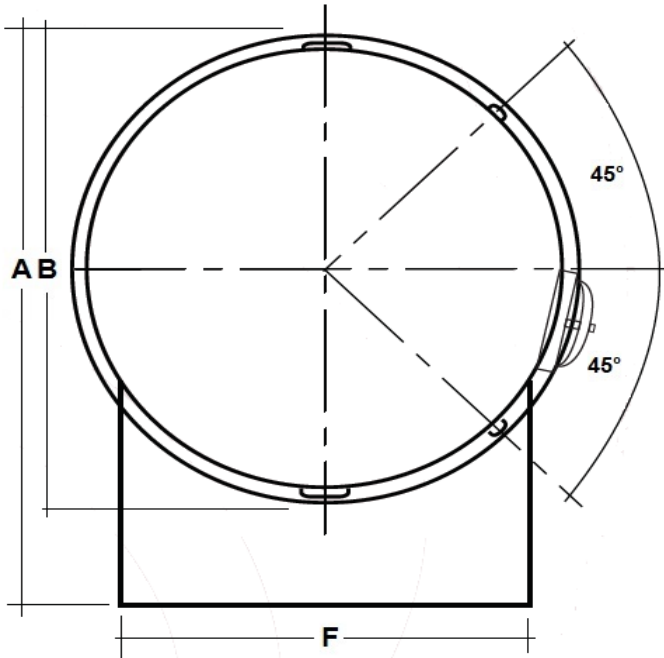
Large Volume Hot Water Storage Tanks Tank Model TSH1110-J*

| TECHNICAL DATA | |
|---------------------------|----------------------------------|
| CAPACITY: | 1110 Gallon |
| CONFIGURATION: | Horizontal |
| INTERIOR (LINING): | *Glass or Epoxy |
| EXTERIOR: | Steel Jacket with 2" Insulation |
| DESIGN PRESSURE | 125 psi |
| DESIGN BUILD: | ASME Section IV HLW Carbon Steel |
| WEIGHT: | 2650 lbs |

* 1 = 10 Mils Glass Thickness; 2 = 20 Mils Glass Thickness; E = Epoxy

| DIMENSIONS | | |
|------------|---------------------------------------|-----------|
| ID | DESCRIPITON | DIMENSION |
| A | Height, Overall | 65" |
| B | Diameter | 58" |
| C | Length, Overall | 127" |
| D | Circulation, Conn. To Tank Centerline | 42" |
| E | Saddle Support, Distance Between | 57-1/2" |
| F | Saddle Support, Width | 47-1/4" |

| SUBMITTAL | |
|-------------|--|
| JOB NAME: | |
| LOCATION: | |
| ENGINEER: | |
| WHOLESALER: | |
| CONTRACTOR: | |
| DATE: | |



Notes:

- 1) Tank information is subject to change without notice.
- 2) Tank options are available; Consult Factory.