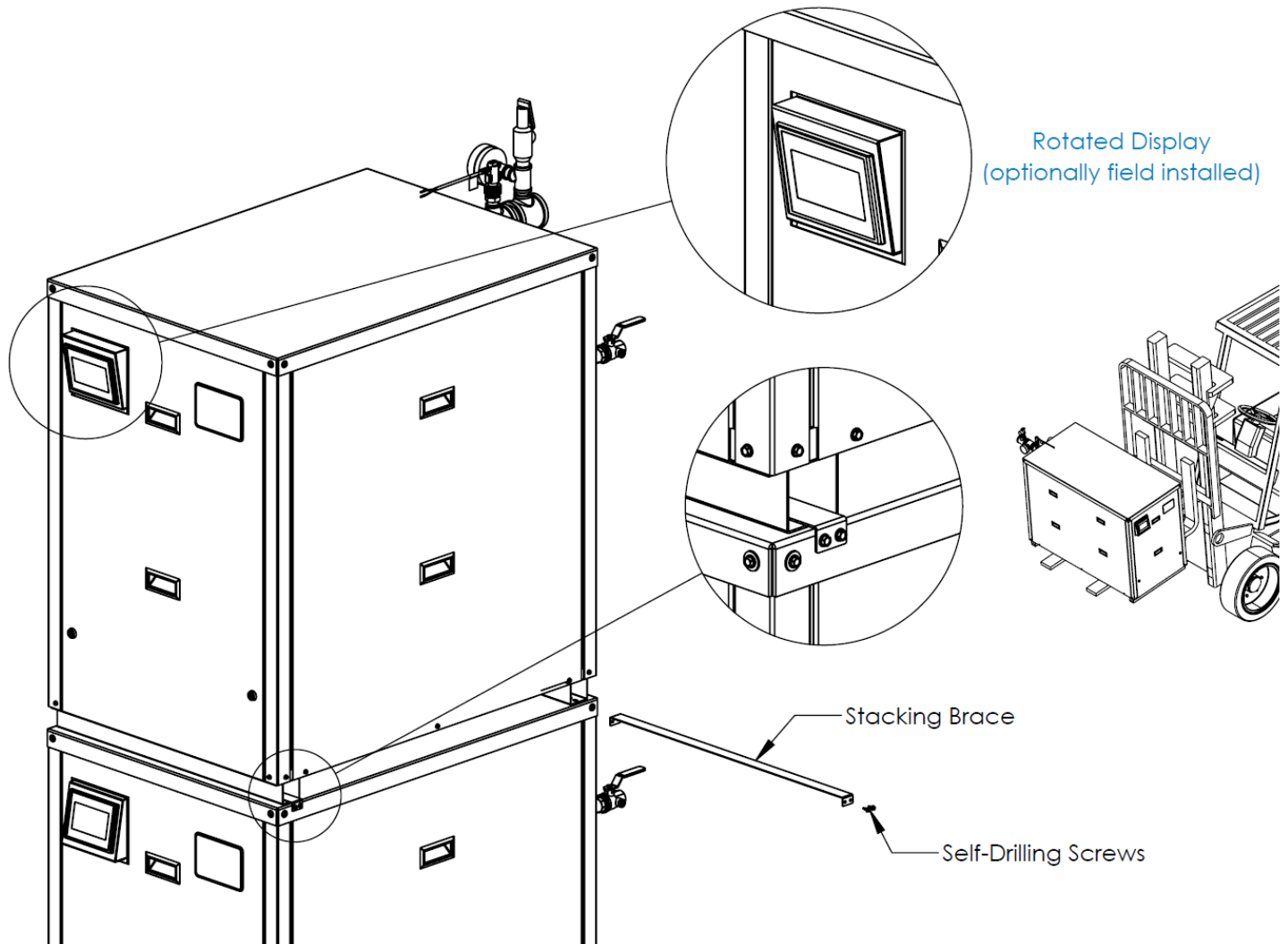


# AMP CONDENSING PRODUCTS

## STACKABLE DESIGN



### Stacking Notes:

1. The 400-1000L models may be installed in a stacked configuration.
  - a. One 400 or 500 model can be mounted on the top of another 400 or 500 model.
  - b. One 650, 800, or 1000L model can be mounted on the top of another 650, 800, or 1000L model.
2. Lifting the appliance for stacking.
  - a. Lifting with a forklift: Place forks center of the base from the side.

### **⚠ DANGER**

Failure to center the lifting forks under the base of the appliance could result in severe property damage or injury.



- b. Lifting with a crane: Remove top panel to access the lifting lugs of the heat exchanger.
- 3. Stacking brace kit (PN: 111405-01) is included with 400-1000L models. The kit includes 2 braces and 8 self-drilling screws.
  - a. Follow all previous instructions for mounting the bottom appliance.
  - b. Use the included screws to secure the brace as shown in Figure 5.
- 4. Outdoor BFIT models cannot be stacked.
- 5. The display bracket on the top appliance can be rotated for a better viewing angle of the Concert display.
  - a. Remove the front panel and disconnect the wire harnesses going to the display and the On/Off switch.
  - b. Remove the 4 nuts holding the display bracket.
  - c. Unscrews the clamps holding the display onto the display bracket to rotate the display 180°.
  - d. Reinstall the display, reinstall the display bracket (Concert logo right side up), and connect the wire harnesses.

Refer to the most current product manual for more information.