

Submittal Data

PROJECT:	UNIT TAG:	QUANTITY:
REPRESENTATIVE: _____	TYPE OF SERVICE:	DATE: _____
ENGINEER:	SUBMITTED BY:	DATE:
CONTRACTOR:	APPROVED BY:	DATE:
	ORDER NO.:	DATE:

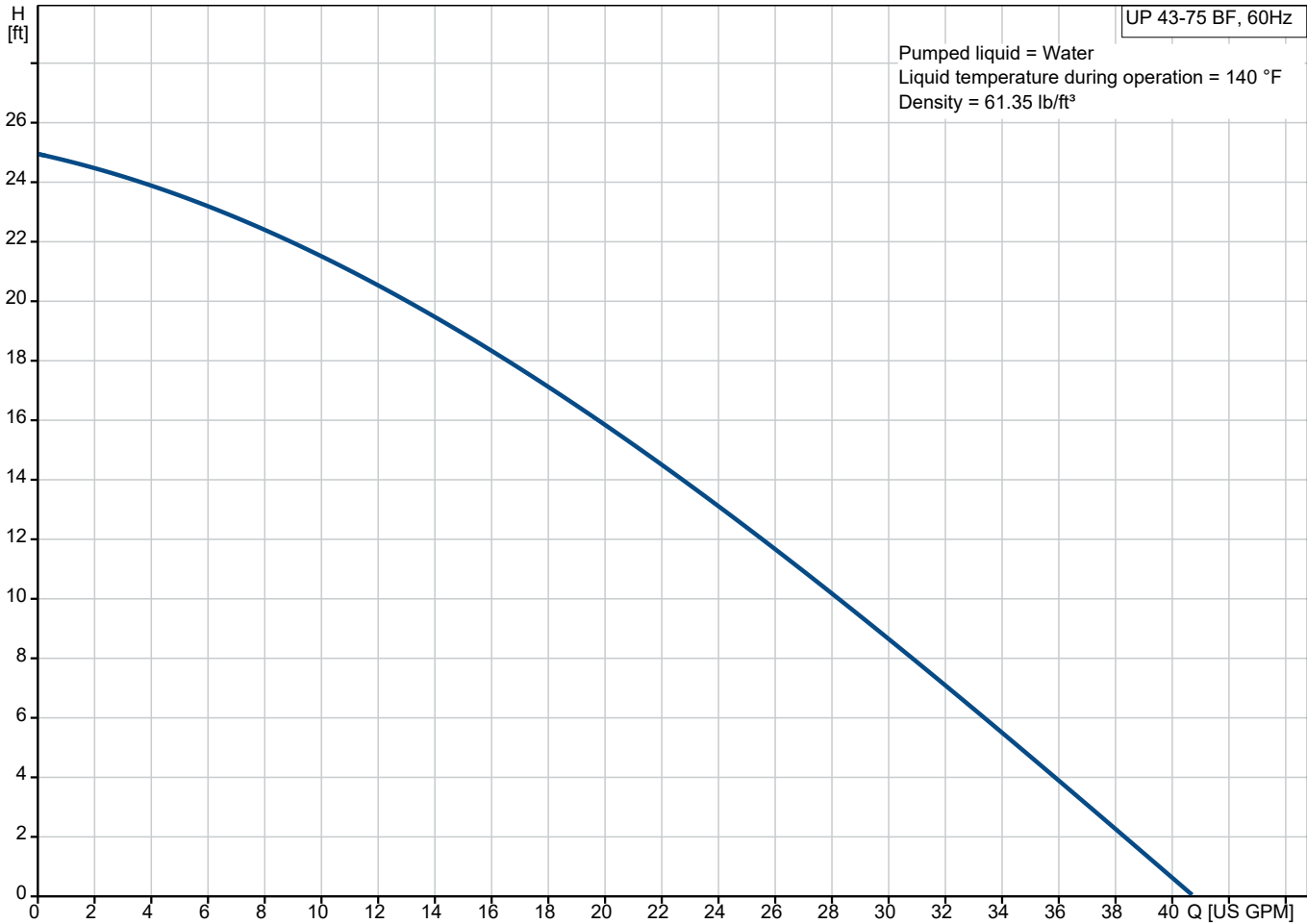


UP 43-75 BF

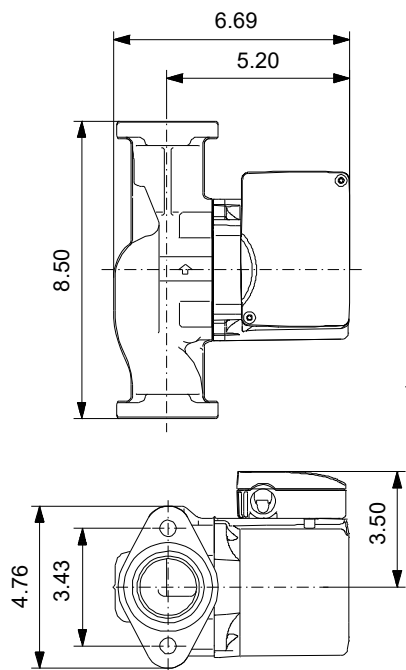
UP B is a single-speed circulator pump with a corrosion-resistant bronze pump housing designed for hot-water recirculation. The pump provides reliable and maintenance-free operation.

Note! Product picture may differ from actual product

Conditions of Service	Pump Data	Motor Data
Liquid: Water Temperature: 140 °F Specific Gravity: 0.985	Liquid temperature range: 35.6 .. 230 °F Maximum ambient temperature: 104 °F Type of connection: Brz. Flange Pipe connection: 2-BOLT FLANGE Product number: 52722370	Max. power input: 215 W Mains frequency: 60 Hz Thermal protection: INT.



Submittal Data



Materials:
Pump housing: Bronze
Pump housing: ASTM B584 C87500
Impeller: Composite