

Submittal Data

PROJECT:	UNIT TAG:	QUANTITY:
REPRESENTATIVE: _____	TYPE OF SERVICE:	DATE: _____
ENGINEER:	SUBMITTED BY:	DATE:
CONTRACTOR:	APPROVED BY:	DATE:
	ORDER NO.:	DATE:

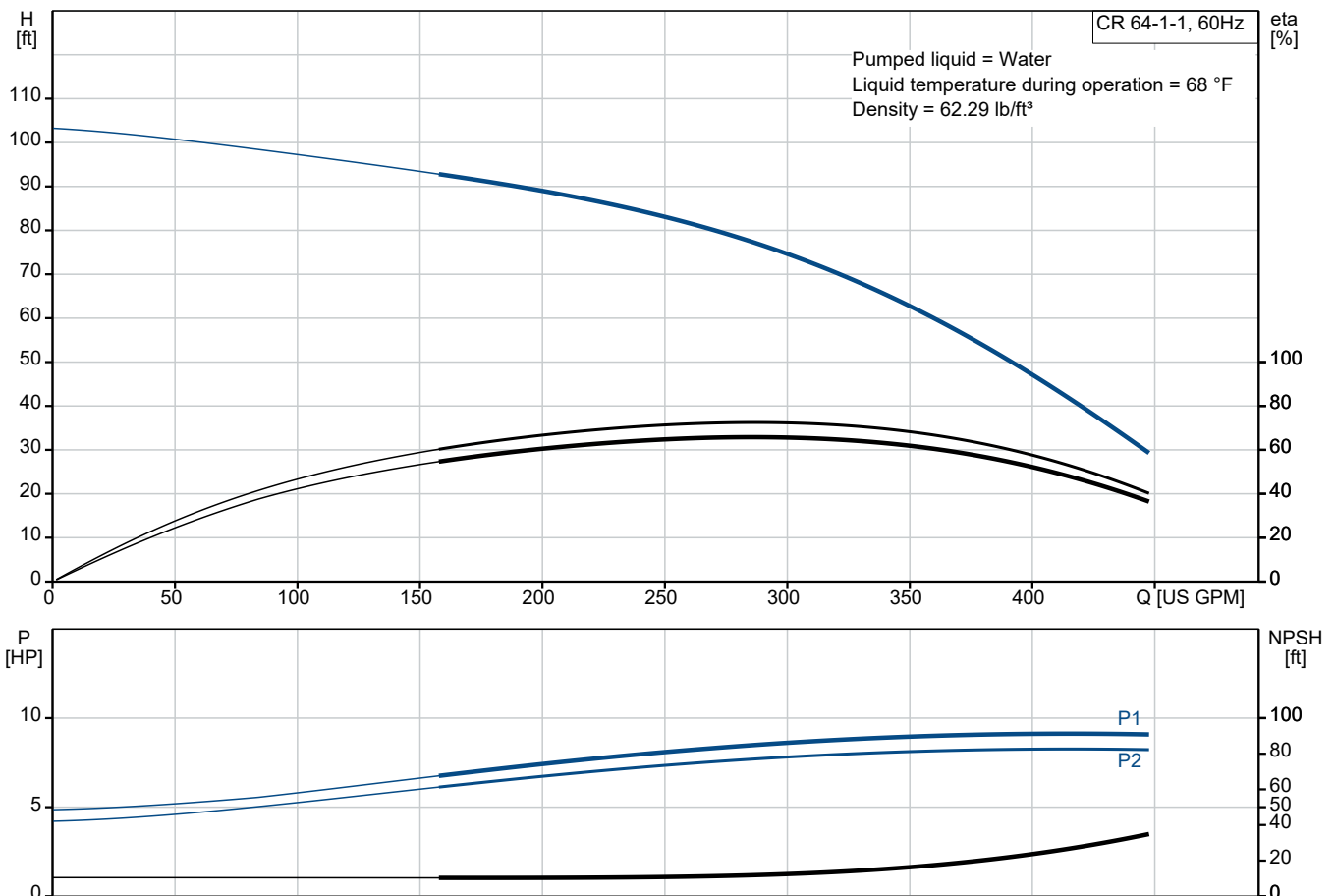


CR 64-1-1 A-G-A-E-HQQE

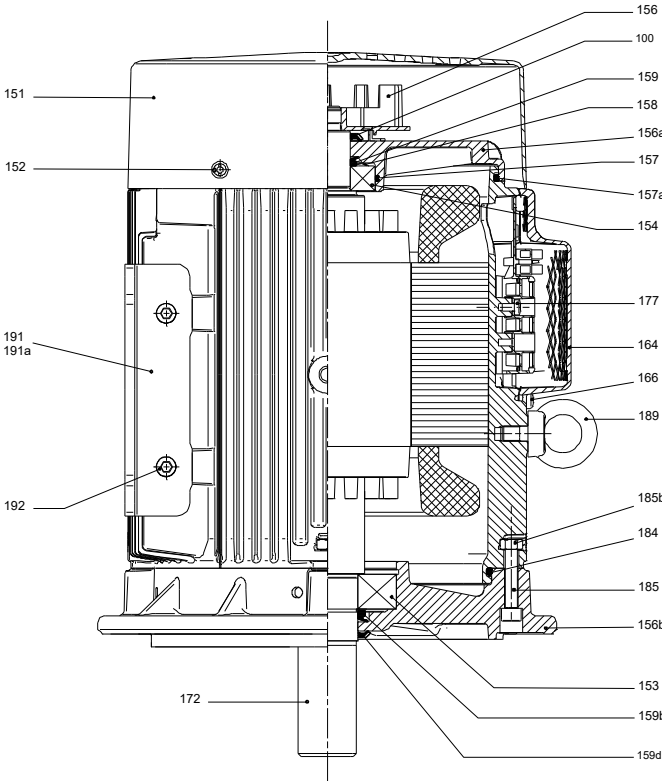
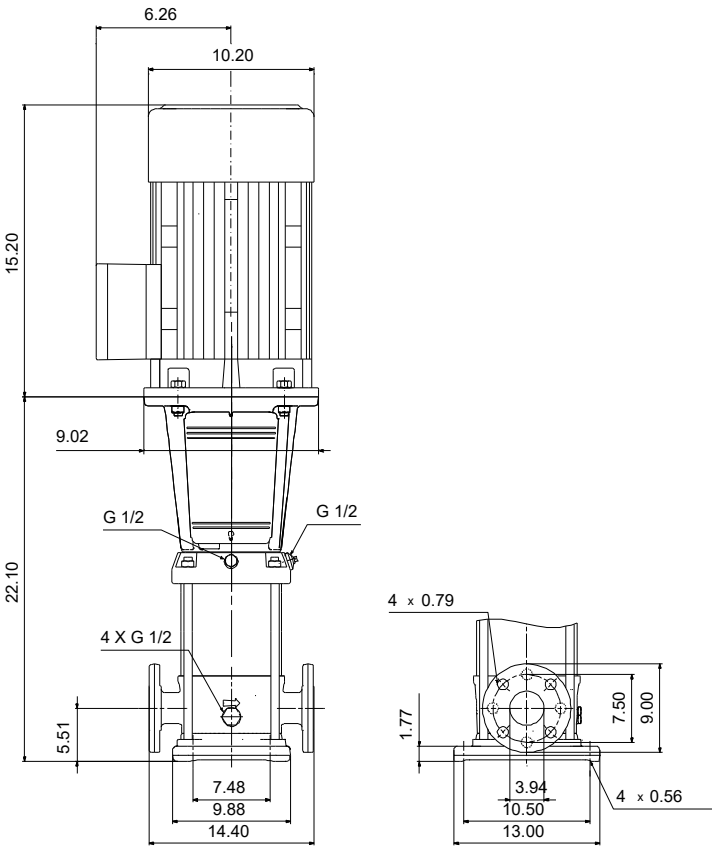
Vertical, multistage centrifugal pump with suction and discharge ports on the same level. The pump head and base are in cast iron - all other wetted parts are in stainless steel (EN 1.4301)

Note! Product picture may differ from actual product

Conditions of Service		Pump Data		Motor Data	
Liquid:	Water	Max pressure at stated temp:	232 psi / 250 °F	Rated power - P2:	10 HP
Temperature:	68 °F	Liquid temperature range:	-22 .. 248 °F	Rated voltage:	208-230YY/460Y V
Specific Gravity:	1.000	Maximum ambient temperature:	140 °F	Mains frequency:	60 Hz
		Shaft seal:	HQQE	Enclosure class:	55 Dust/Jetting
		Product number:	97533269	Insulation class:	F
				Motor protection:	PTC
				Motor type:	132FA
				Eta 1/1:	90.0-90.2 %



Submittal Data



- Materials:**
 Base: Cast iron
 Base: EN 1563 EN-GJS-500-7
 Base: ASTM A536 80-55-06
 Impeller: Stainless steel
 Impeller: AISI 304
 Impeller: EN 1.4301
 Material code: A
 Code for rubber: E