

Submittal Data

PROJECT:	UNIT TAG:	QUANTITY:
REPRESENTATIVE: _____	TYPE OF SERVICE:	DATE: _____
ENGINEER:	SUBMITTED BY:	DATE:
CONTRACTOR:	APPROVED BY:	DATE:
	ORDER NO.:	DATE:

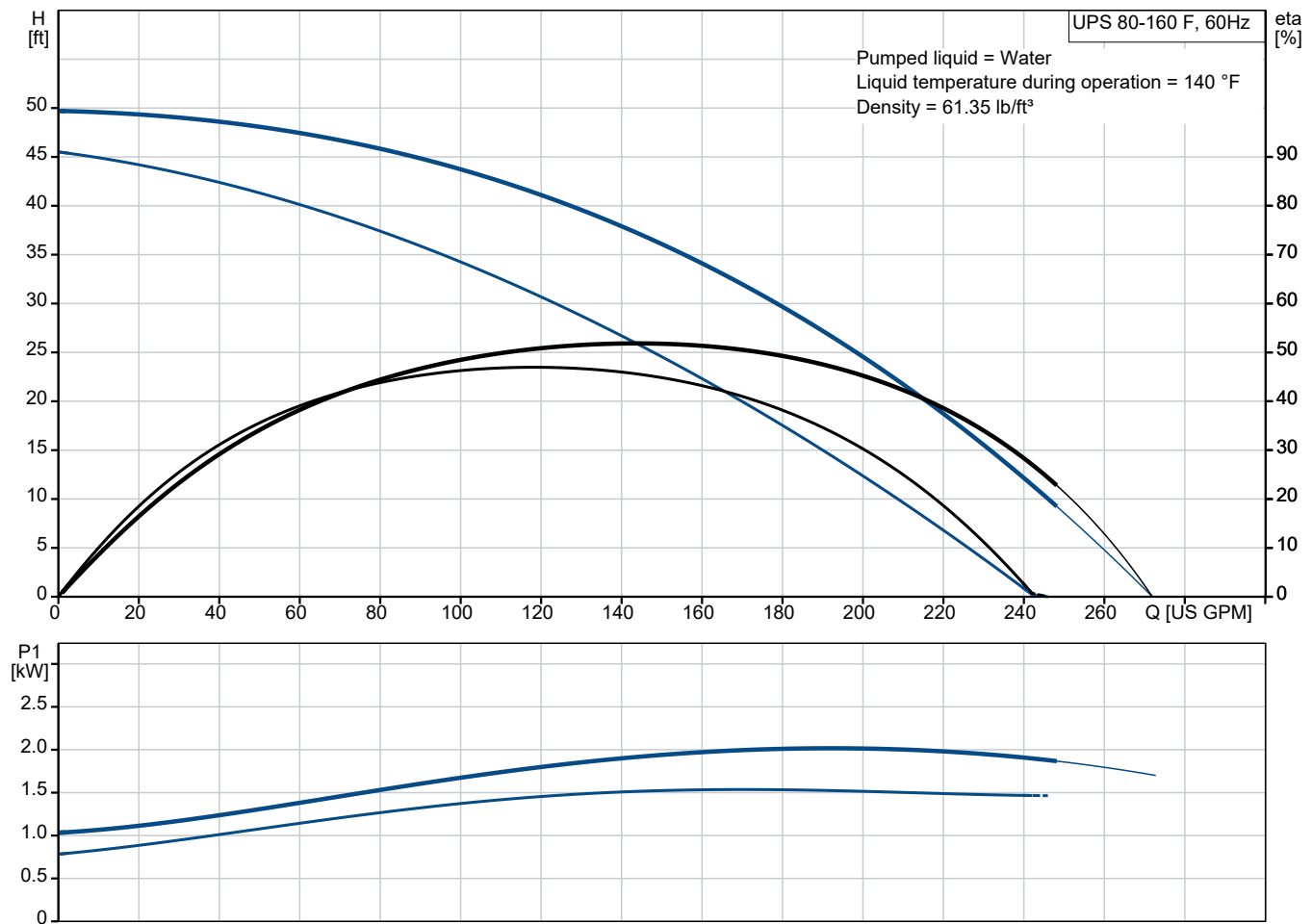


UPS 80-160 F

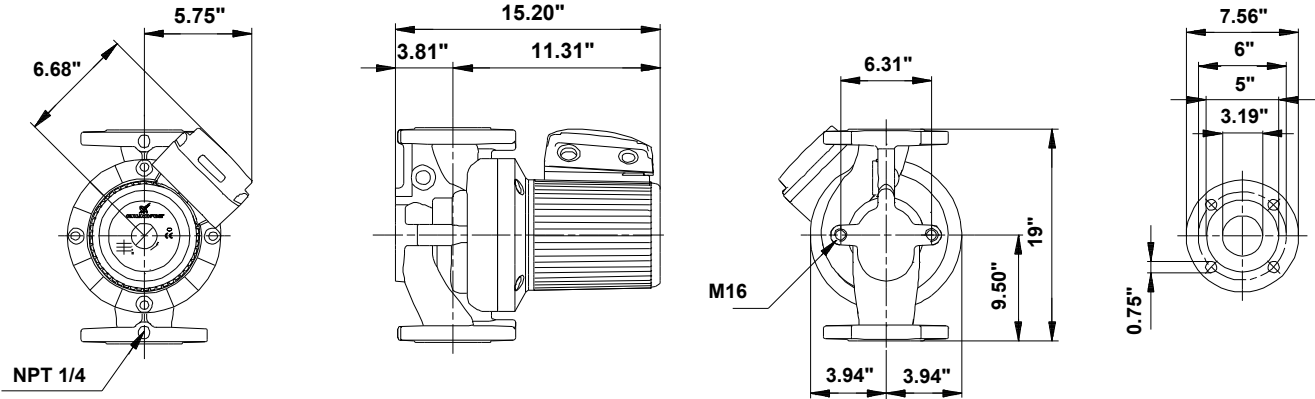
UPS is a three-speed circulator pump designed for heating and air-conditioning systems and is also used for central and district heating systems. The pump provides reliable and maintenance-free operation.

Note! Product picture may differ from actual product

Conditions of Service	Pump Data	Motor Data
Liquid: Water	Liquid temperature range: 14 .. 248 °F	Max. power input: 2050 W
Temperature: 140 °F	Maximum ambient temperature: 104 °F	Rated voltage: 460 V
Specific Gravity: 0.985	Pipe connection: GF 80	Mains frequency: 60 Hz
	Product number: 96402921	Enclosure class: X4D
		Thermal protection: EXT.



Submittal Data



Materials:

- Pump housing: Cast iron
- Pump housing: ASTM 35 B - 40 B
- Impeller: Stainless steel
- Impeller: AISI 304
- Impeller: EN 1.4301

