

Submittal Data

| | | |
|-----------------------|------------------|-------------|
| PROJECT: | UNIT TAG: | QUANTITY: |
| REPRESENTATIVE: _____ | TYPE OF SERVICE: | DATE: _____ |
| ENGINEER: | SUBMITTED BY: | DATE: |
| CONTRACTOR: | APPROVED BY: | DATE: |
| | ORDER NO.: | DATE: |

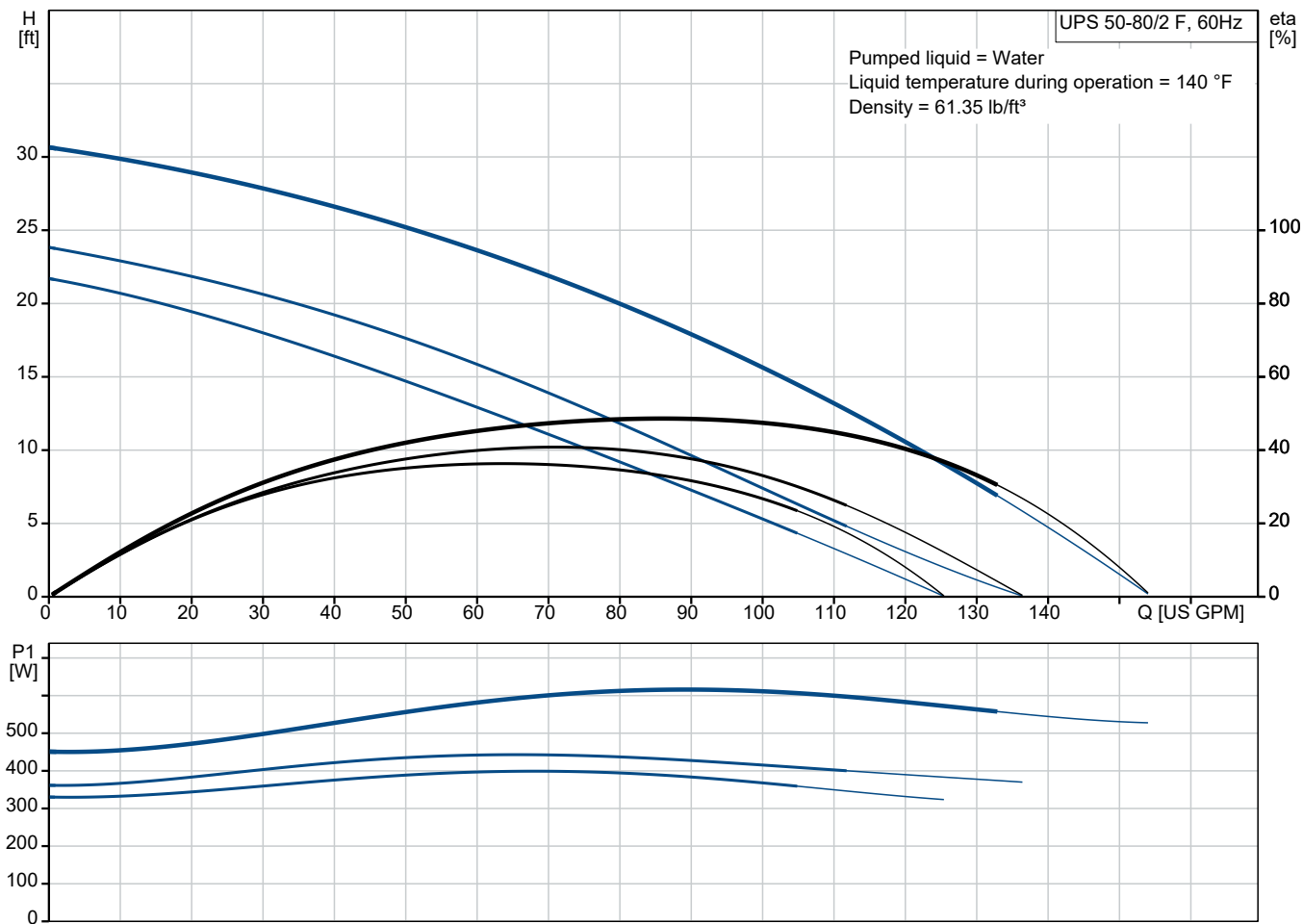


UPS 50-80/2 F

UPS is a three-speed circulator pump designed for heating and air-conditioning systems and is also used for central and district heating systems. The pump provides reliable and maintenance-free operation.

Note! Product picture may differ from actual product

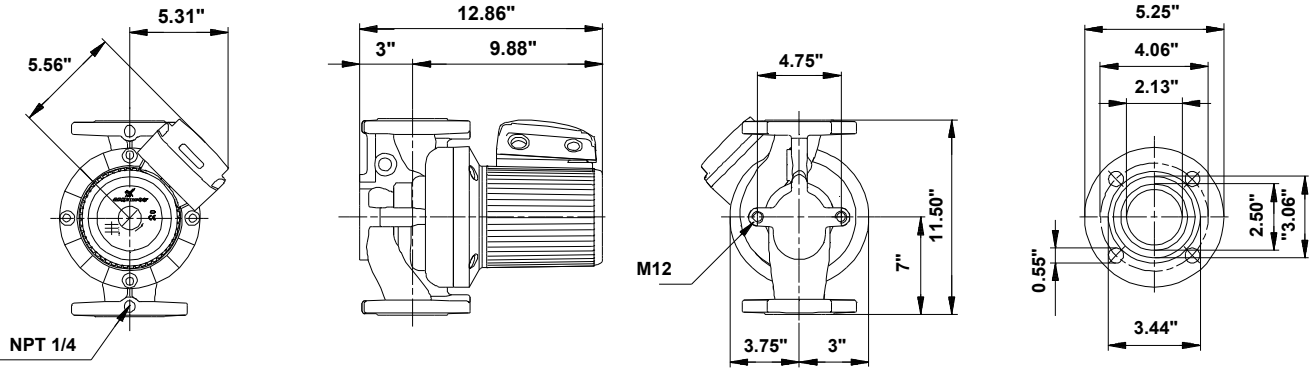
| Conditions of Service | Pump Data | Motor Data |
|-------------------------|--|--------------------------|
| Liquid: Water | Liquid temperature range: 14 .. 248 °F | Max. power input: 610 W |
| Temperature: 140 °F | Maximum ambient temperature: 104 °F | Rated voltage: 208-230 V |
| Specific Gravity: 0.985 | Pipe connection: GF 50 | Mains frequency: 60 Hz |
| | Product number: 96402838 | Enclosure class: X4D |
| | | Thermal protection: EXT. |



Submittal Data

4

3



Materials:

- Pump housing: Cast iron
- Pump housing: ASTM 35 B - 40 B
- Impeller: Stainless steel
- Impeller: AISI 304
- Impeller: EN 1.4301

