

Submittal Data

| | | |
|-----------------------|------------------|-------------|
| PROJECT: | UNIT TAG: | QUANTITY: |
| REPRESENTATIVE: _____ | TYPE OF SERVICE: | DATE: _____ |
| ENGINEER: | SUBMITTED BY: | DATE: |
| CONTRACTOR: | APPROVED BY: | DATE: |
| | ORDER NO.: | DATE: |

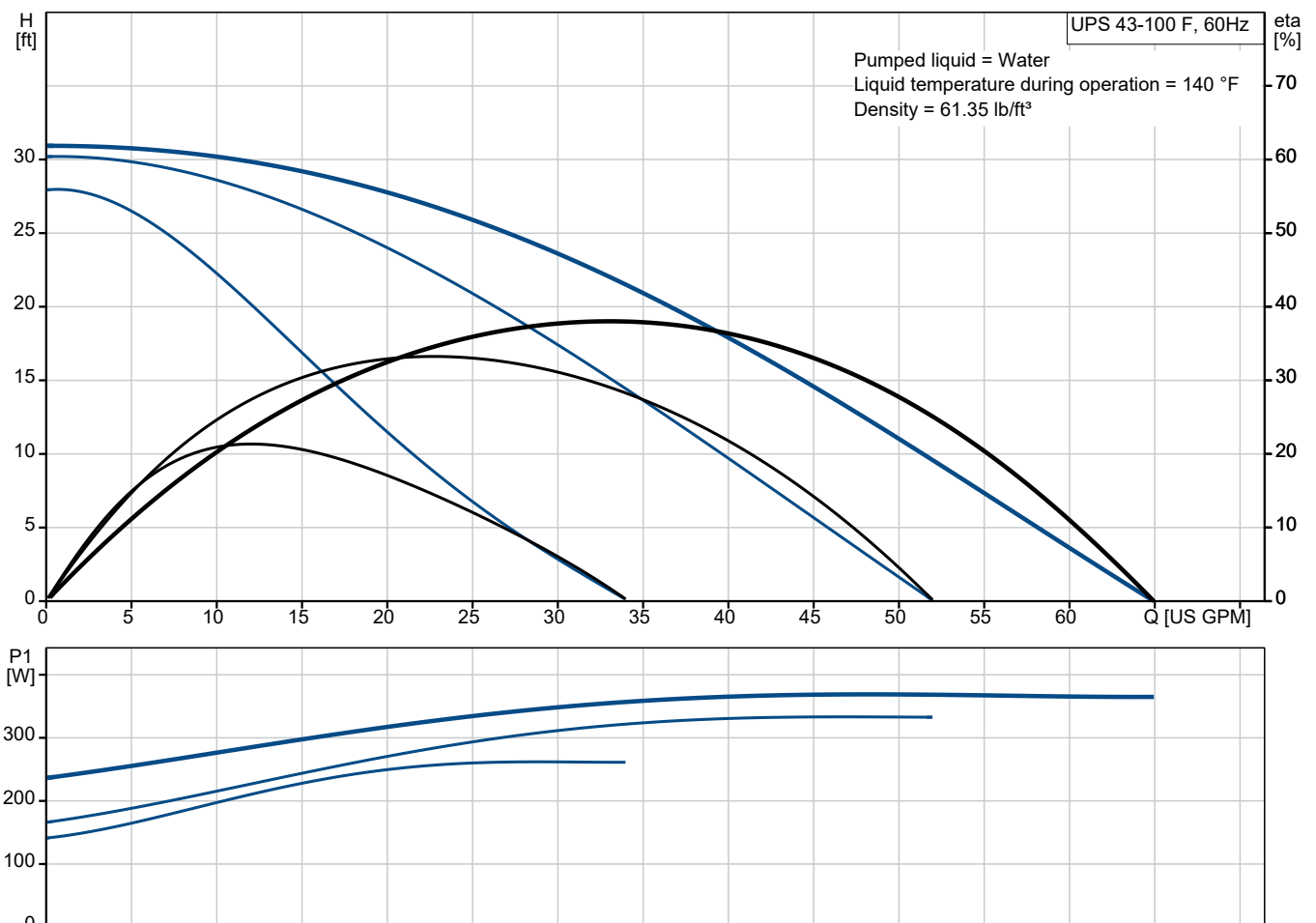


UPS 43-100 F

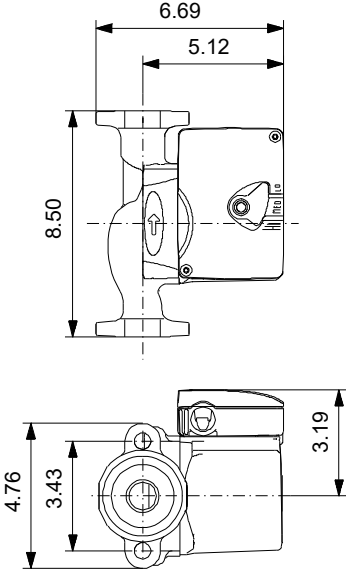
UPS is a three-speed circulator pump designed for heating and air-conditioning systems and is also used for central and district heating systems. The pump provides reliable and maintenance-free operation.

Note! Product picture may differ from actual product

| Conditions of Service | | Pump Data | | Motor Data | |
|-----------------------|--------|------------------------------|----------------|---------------------|----------|
| Liquid: | Water | Liquid temperature range: | 35.6 .. 230 °F | Max. power input: | 370 W |
| Temperature: | 140 °F | Maximum ambient temperature: | 104 °F | Mains frequency: | 60 Hz |
| Specific Gravity: | 0.985 | Type of connection: | C.I. Flange | Thermal protection: | Internal |
| | | Pipe connection: | 2-BOLT FLANGE | | |
| | | Product number: | 95906636 | | |



Submittal Data



Materials:
Pump housing: Cast iron
Pump housing: ASTM A48-30B
Impeller: Composite